



Essential LEDspot MR16

LED spot 5-50W 120D 6500K 220V

Essential LEDspots MR16 are compatible with most existing fixtures with a GU5.3 socket and are designed as a retrofit replacement for halogen spots. Essential LEDspots MR16 deliver significant energy savings and minimise the initial investment.

Product data

General Information	
Cap base	GU5.3 [GU5.3]
EU RoHS compliant	Yes
Nominal lifetime (nom.)	10000 h
Switching cycle	50,000X
Technical type	5-50W
Light Technical	
Colour Code	765 [CCT of 6,500 K]
Beam Angle (Nom)	120 °
Luminous flux (nom.)	400 lm
Colour designation	Cool Daylight
Correlated Colour Temperature (Nom)	6500 K
Luminous efficacy (rated) (nom.)	80.00 lm/W
Colour consistency	<6
Colour rendering index (nom.)	70
LLMF at end of nominal lifetime (nom.)	70 %
Operating and Electrical	
Input frequency	50 to 60 Hz

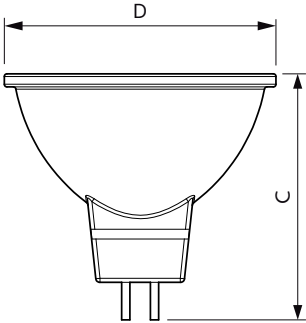
Power (Rated) (Nom)	5 W
Lamp current (nom.)	42 mA
Wattage equivalent	50 W
Starting time (nom.)	0.5 s
Warm-up time to 60% light (nom.)	0.5 s
Power factor (nom.)	0.5
Voltage (Nom)	220 V
Temperature	
T-Case maximum (nom.)	70 °C
Controls and Dimming	
Dimmable	No
Approval and Application	
Energy efficiency label (EEL)	A+
Suitable for accent lighting	No
Energy consumption kWh/1,000 hours	5 kWh

Essential LEDspot MR16

Product Data	
Full product code	871869679318300
Order product name	LED spot 5-50W 120D 6500K 220V
EAN/UPC – product	8718696793183
Order code	79318300
SAP numerator – quantity per pack	1

Numerator – packs per outer box	10
Material no. (12 NC)	929001844708
SAP net weight (piece)	0.038 kg

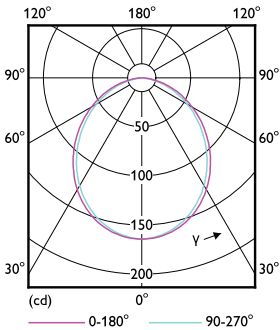
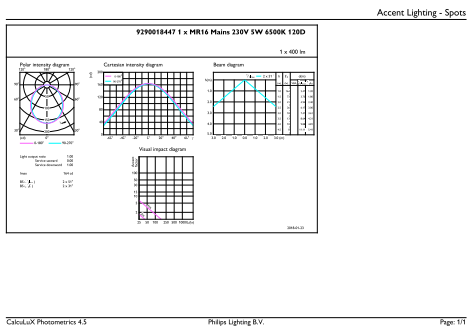
Dimensional drawing



MR16 12V 5.2W-50W 400lm 120D 6500K GU5.3

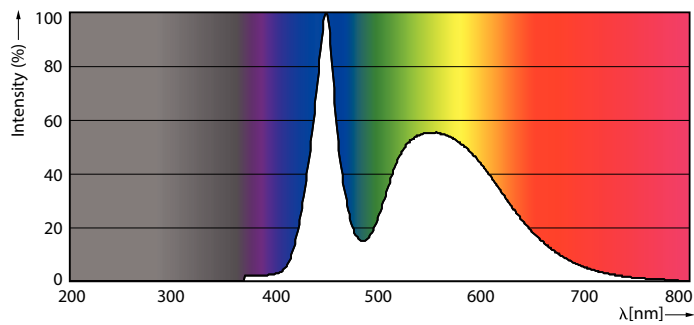
Product	D	C
LED spot 5-50W 120D 6500K 220V	50.5 mm	46.5 mm

Photometric data



LEDspot ESS 50W GU5.3 MR16 865 12D ND RCA

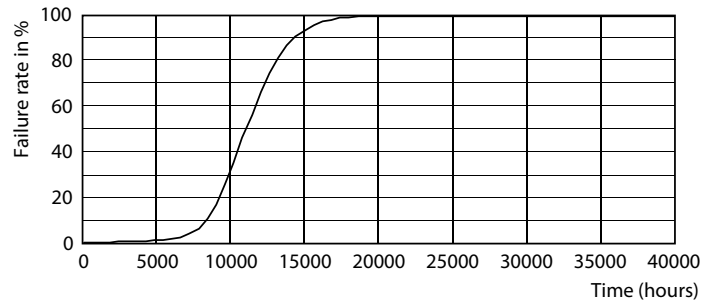
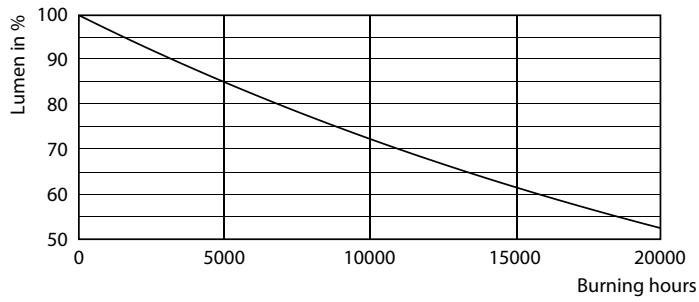
LEDspot ESS 50W GU5.3 MR16 827 12D ND RCA



LEDspot ESS 50W GU5.3 MR16 865 12D ND RCA

Essential LEDspot MR16

Lifetime



LEDspot ESS 50W GU5.3 MR16 827 12D ND RCA

LEDspot ESS 50W GU5.3 MR16 827 12D ND RCA

