



MASTER LEDspot ExpertColor LV

MASTER LED MR16 ExpertColor 7.2-50W 940 60D

MASTER LEDspot LV ExpertColor creates a warm and comfortable ambience for hospitality venues, homes and restaurants. It creates such an ambience with superior lighting that has a customised spectrum, high CRI and deep dimming feature. The result? A beautiful lighting experience. What's more, the innovative, trimless lens design will suit almost any interior decor with its clean and neat look. In addition, you can take advantage of the full ExpertColor family, which also includes LEDspot MV and LEDspot Par lamps.

Product data

General Information	
Cap base	GU5.3 [GU5.3]
EU RoHS compliant	Yes
Nominal lifetime (nom.)	40000 h
Switching cycle	50,000X
Technical type	7.2-50W
Light Technical	
Colour Code	940 [CCT of 4,000 K]
Beam Angle (Nom)	60 °
Luminous flux (nom.)	480 lm
Luminous intensity (nom.)	440 cd
Colour designation	Cool White (CW)
Correlated Colour Temperature (Nom)	4000 K
Luminous efficacy (rated) (nom.)	66.67 lm/W
Colour consistency	<3
Colour rendering index (nom.)	97

LLMF at end of nominal lifetime (nom.) 70 %	
Operating and Electrical	
Input frequency	- Hz
Power (Rated) (Nom)	7.2 W
Lamp current (nom.)	800 mA
Wattage equivalent	50 W
Starting time (nom.)	0.5 s
Warm-up time to 60% light (nom.)	1 s
Power factor (nom.)	0.7
Voltage (Nom)	12 V
Temperature	
T-Case maximum (nom.)	92 °C
Controls and Dimming	
Dimmable	Yes

MASTER LEDspot ExpertColor LV

Approval and Application

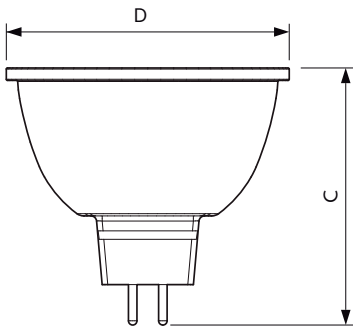
Energy efficiency label (EEL)	Not applicable
Suitable for accent lighting	Yes
Energy consumption kWh/1,000 hours - kWh	

Product Data

Full product code	871869671954100
Order product name	MASTER LED MR16 ExpertColor 7.2-50W 940 60D
	60D

EAN/UPC – product	8718696719541
Order code	71954100
SAP numerator – quantity per pack	1
SAP numerator – packs per outer box	10
SAP material	929001341608
Net Weight (Piece)	0.034 kg

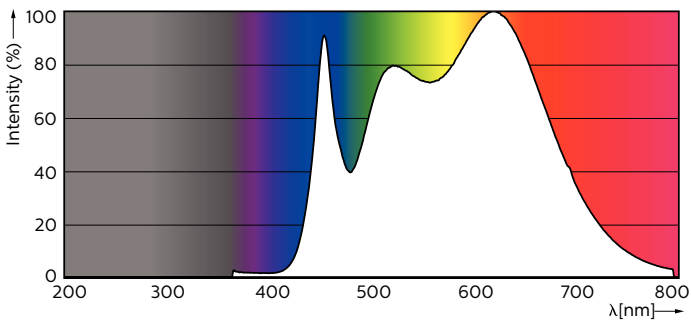
Dimensional drawing



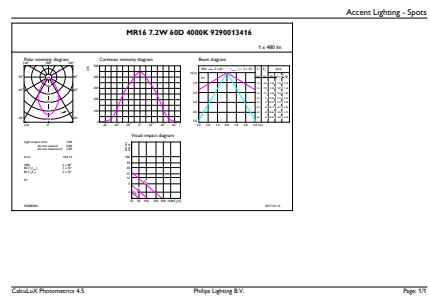
MAS LED MR16 ExpertColor 7.2-50W 940 60D

Product	D	C
MASTER LED MR16 ExpertColor 7.2-50W 940 60D	50.5 mm	46 mm

Photometric data



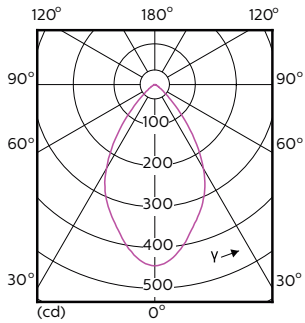
Master LEDspot ExpertColor LV 50W EZ10 940 10D



Master LEDspot ExpertColor LV 50W GU5.3 940 60D

MASTER LEDspot ExpertColor LV

Photometric data



Master LEDspot ExpertColor LV 50W GU5.3 940 60D

Lifetime



Master LEDspot ExpertColor LV 50W EZ10 927 10D



Master LEDspot ExpertColor LV 50W EZ10 927 10D

