



# MASTER LEDspot ExpertColor LV

## MASTER LED MR16 ExpertColor 7.2-50W 930 36D

MASTER LEDspot LV ExpertColor creates a warm and comfortable ambience for hospitality venues, homes and restaurants. It creates such an ambience with superior lighting that has a customised spectrum, high CRI and deep dimming feature. The result? A beautiful lighting experience. What's more, the innovative, trimless lens design will suit almost any interior decor with its clean and neat look. In addition, you can take advantage of the full ExpertColor family, which also includes LEDspot MV and LEDspot Par lamps.

### Product data

General Information		LLMF at end of nominal lifetime (nom.) 70 %	
Cap base	GU5.3 [ GU5.3]		
EU RoHS compliant	Yes	Operating and Electrical	
Nominal lifetime (nom.)	40000 h	Input frequency	- Hz
Switching cycle	50,000X	Power (Rated) (Nom)	7.2 W
Technical type	7.2-50W	Lamp current (nom.)	800 mA
Light Technical		Wattage equivalent	50 W
Colour Code	930 [ CCT of 3,000 K]	Starting time (nom.)	0.5 s
Beam Angle (Nom)	36 °	Warm-up time to 60% light (nom.)	1 s
Luminous flux (nom.)	480 lm	Power factor (nom.)	0.7
Luminous intensity (nom.)	1450 cd	Voltage (Nom)	12 V
Colour designation	White (WH)	Temperature	
Correlated Colour Temperature (Nom)	3000 K	T-Case maximum (nom.)	92 °C
Luminous efficacy (rated) (nom.)	66.67 lm/W	Controls and Dimming	
Colour consistency	<3	Dimmable	Yes
Colour rendering index (nom.)	97		

# MASTER LEDspot ExpertColor LV

## Approval and Application

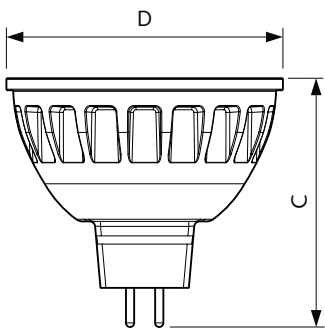
Energy efficiency label (EEL)	Not applicable
Energy-saving product	Yes
Suitable for accent lighting	Yes
Energy consumption kWh/1,000 hours - kWh	

## Product Data

Full product code	871869657185900
Order product name	MASTER LED MR16 ExpertColor 7.2-50W 930 36D

EAN/UPC – product	8718696571859
Order code	57185900
Numerator – quantity per pack	1
Numerator – packs per outer box	10
SAP material	929001242608
SAP net weight (piece)	0.034 kg

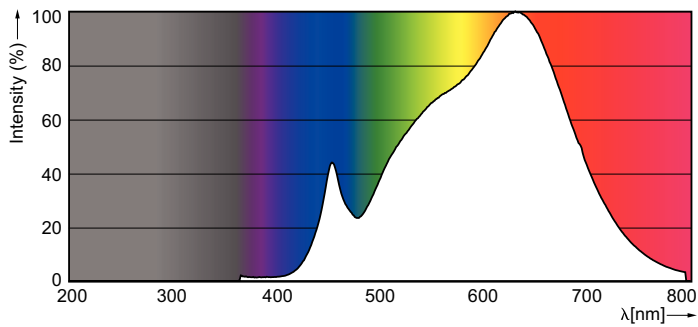
## Dimensional drawing



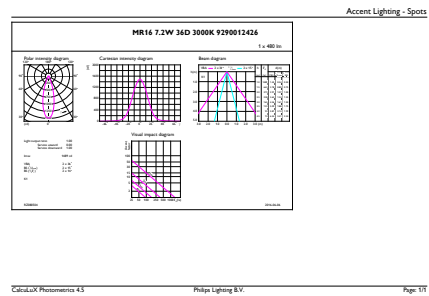
MR16 12V 7.2-50W 420lm 36D 3000K GU5.3 D

Product	D	C
MASTER LED MR16 ExpertColor 7.2-50W 930 36D	51 mm	46 mm

## Photometric data



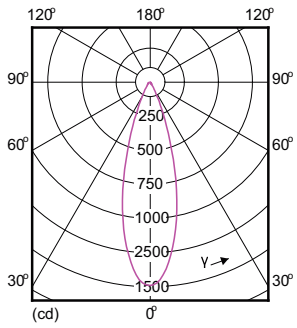
MAS LED ExpertColor 7.2-50W MR16 GU5.3 930



MAS LED ExpertColor 7.2-50W MR16 GU5.3 930 36D

# MASTER LEDspot ExpertColor LV

## Photometric data



MAS LED ExpertColor 7.2-50W MR16 GU5.3 930 36D

