



MASTER LEDspot ExpertColor LV

MASTER LED MR16 ExpertColor 7.2-50W 930 24D

MASTER LEDspot LV ExpertColor creates a warm and comfortable ambience for hospitality venues, homes and restaurants. It creates such an ambience with superior lighting that has a customised spectrum, high CRI and deep dimming feature. The result? A beautiful lighting experience. What's more, the innovative, trimless lens design will suit almost any interior decor with its clean and neat look. In addition, you can take advantage of the full ExpertColor family, which also includes LEDspot MV and LEDspot Par lamps.

Product data

General Information		LLMF at end of nominal lifetime (nom.) 70 %	
Cap base	GU5.3 [GU5.3]		
EU RoHS compliant	Yes	Operating and Electrical	
Nominal lifetime (nom.)	40000 h	Input frequency	- Hz
Switching cycle	50,000X	Power (Rated) (Nom)	7.2 W
Technical type	7.2-50W	Lamp current (nom.)	800 mA
Light Technical		Wattage equivalent	50 W
Colour Code	930 [CCT of 3,000 K]	Starting time (nom.)	0.5 s
Beam Angle (Nom)	24 °	Warm-up time to 60% light (nom.)	1 s
Luminous flux (nom.)	480 lm	Power factor (nom.)	0.7
Luminous intensity (nom.)	2400 cd	Voltage (Nom)	12 V
Colour designation	White (WH)	Temperature	
Correlated Colour Temperature (Nom)	3000 K	T-Case maximum (nom.)	92 °C
Luminous efficacy (rated) (nom.)	66.67 lm/W	Controls and Dimming	
Colour consistency	<3	Dimmable	Yes
Colour rendering index (nom.)	97		

MASTER LEDspot ExpertColor LV

Approval and Application

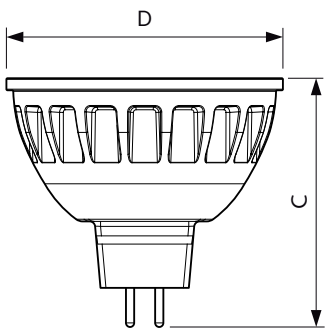
Energy efficiency label (EEL)	Not applicable
Energy-saving product	Yes
Suitable for accent lighting	Yes
Energy consumption kWh/1,000 hours - kWh	

Product Data

Full product code	871869657179800
Order product name	MASTER LED MR16 ExpertColor 7.2-50W 930 24D

EAN/UPC – product	8718696571798
Order code	57179800
Numerator – quantity per pack	1
Numerator – packs per outer box	10
SAP material	929001242308
SAP net weight (piece)	0.034 kg

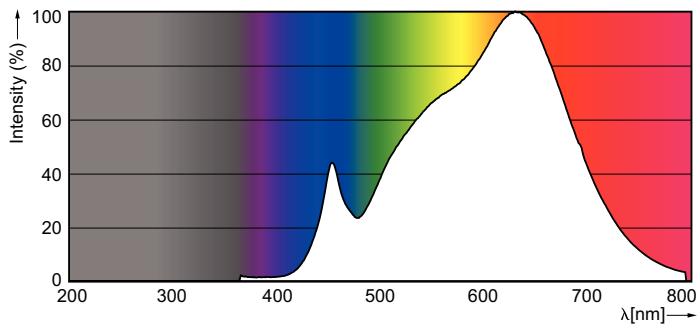
Dimensional drawing



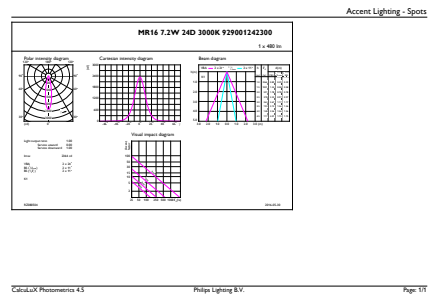
MR16 12V 7.2-50W 420lm 24D 3000K GU5.3 D

Product	D	C
MASTER LED MR16 ExpertColor 7.2-50W 930 24D	51 mm	46 mm

Photometric data



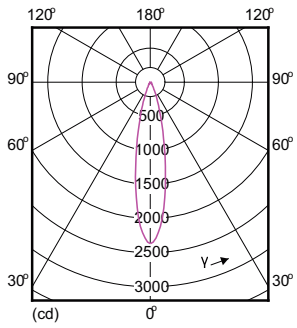
MAS LED ExpertColor 7.2-50W MR16 GU5.3 930



MAS LED ExpertColor 7.2-50W MR16 GU5.3 930 24D

MASTER LEDspot ExpertColor LV

Photometric data



MAS LED ExpertColor 7.2-50W MR16 GU5.3 930 24D

