



# Classic LEDspotMV

## Essential LED 4.6-50W GU10 827 36D

Featuring a classic heritage design, Classic LEDspotMV delivers warm halogen-like light while saving around 90% on energy costs. It is compatible with most existing fixtures with a GU10 holder and is designed as a retrofit replacement for halogen or incandescent spots. LED lamps deliver significant energy savings and minimise maintenance costs.

### Product data

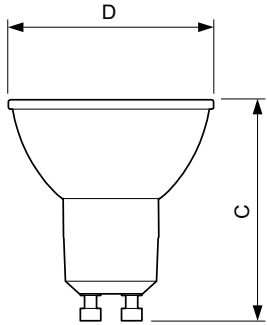
General Information		Lamp current (nom.)	
Cap base	GU10 [ GU10]	Lamp current (nom.)	39 mA
EU RoHS compliant	Yes	Wattage equivalent	50 W
Nominal lifetime (nom.)	15000 h	Starting time (nom.)	0.5 s
Switching cycle	50,000X	Warm-up time to 60% light (nom.)	0.5 s
Technical type	4.6-50W	Power factor (nom.)	0.5
		Voltage (Nom)	220-240 V
Light Technical		Temperature	
Colour Code	827 [ CCT of 2,700 K]	T-Case maximum (nom.)	78 °C
Beam Angle (Nom)	36 °		
Luminous flux (nom.)	395 lm	Controls and Dimming	
Luminous intensity (nom.)	700 cd	Dimmable	No
Colour designation	Warm White (WW)		
Correlated Colour Temperature (Nom)	2700 K	Approval and Application	
Luminous efficacy (rated) (nom.)	85.90 lm/W	Energy efficiency label (EEL)	A+
Colour consistency	<6	Suitable for accent lighting	Yes
Colour rendering index (nom.)	80	Energy consumption kWh/1,000 hours	5 kWh
LLMF at end of nominal lifetime (nom.)	70 %		
Operating and Electrical		Product Data	
Input frequency	50 to 60 Hz	Full product code	871869670059400
Power (Rated) (Nom)	4.6 W	Order product name	Essential LED 4.6-50W GU10 827 36D
		EAN/UPC – product	8718696700594

# Classic LEDspotMV

Order code	70059400
SAP numerator – quantity per pack	1
Numerator – packs per outer box	10
Material no. (12 NC)	929001215208

SAP net weight (piece)	0.038 kg
------------------------	----------

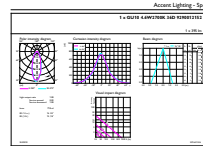
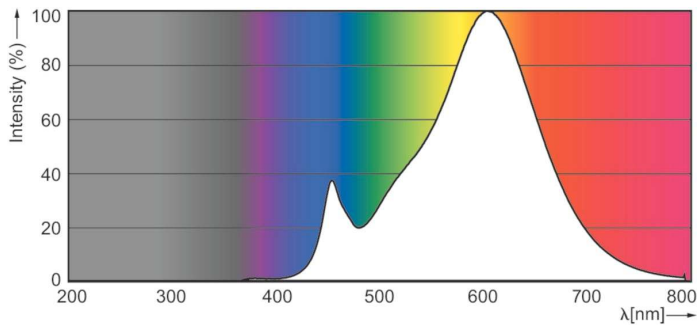
## Dimensional drawing



LEDClassic 50W GU10 WW 230V 36D ND 1BC/6

Product	D	C
Essential LED 4.6-50W GU10 827 36D	50 mm	54 mm

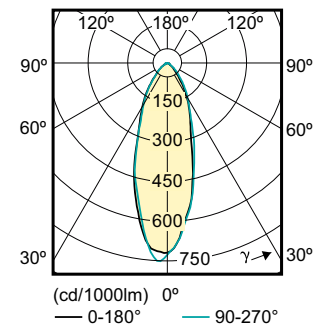
## Photometric data



Essential Lamps 11 | Product Lighting 11 | Page 10

LEDspotMV GU10 MR16 827

LED Lamps, CorePro LEDspotMV 4.6-50W GU10 PAR16 827 355lm 36D



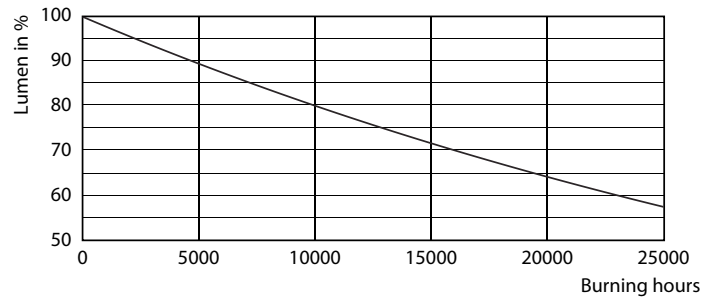
LED Lamps, CorePro LEDspotMV 4.6-50W GU10 PAR16 827 355lm 36D

# Classic LEDspotMV

## Lifetime



CLA LEDspotMV 50W GU10 827 36D ND



CLA LEDspotMV 50W GU10 827 36D ND

