



CorePro LED PLC 2P

LED PLC 8.5W 830 2P G24d-3

The CorePro LED PLC 2P integrates a LED light source into a traditional fluorescent form factor. This product is the ideal solution for uplamping in general lighting applications: it meets basic lighting requirements, offers significant energy savings and is environmentally friendly.

Product data

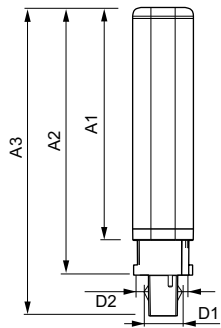
General Information		Warm-up time to 60% light (nom.)	
Cap base	G24D-3 [G24d-3]		0.5 s
EU RoHS compliant	Yes	Power factor (nom.)	0.9
Nominal lifetime (nom.)	30000 h	Voltage (Nom)	220-240 V
Switching cycle	50,000X	Temperature	
Light Technical		T-ambient (max.)	35 °C
Colour Code	830 [CCT of 3,000 K]	T-ambient (min.)	-20 °C
Beam Angle (Nom)	120 °	T storage (max.)	65 °C
Luminous flux (nom.)	950 lm	T storage (min.)	-40 °C
Colour designation	White (WH)	T-Case maximum (nom.)	75 °C
Correlated Colour Temperature (Nom)	3000 K	Controls and Dimming	
Luminous efficacy (rated) (nom.)	111.00 lm/W	Dimmable	No
Colour consistency	<6	Mechanical and Housing	
Colour rendering index (nom.)	83	Product length	200 mm
LLMF at end of nominal lifetime (nom.)	70 %	Approval and Application	
Operating and Electrical		Energy efficiency label (EEL)	A+
Input frequency	50 to 60 Hz	Energy-saving product	Yes
Power (Rated) (Nom)	8.5 W	Approval marks	CE marking RoHS compliance KEMA Keur certificate
Lamp current (max.)	43 mA		
Lamp current (min.)	33 mA		
Starting time (nom.)	0.5 s		

CorePro LED PLC 2P

Energy consumption kWh/1,000 hours	11 kWh
Product Data	
Full product code	871869666999000
Order product name	LED PLC 8.5W 830 2P G24d-3
EAN/UPC – product	8718696669990
Order code	66999000

SAP numerator – quantity per pack	1
Numerator – packs per outer box	10
SAP material	929001201208
SAP net weight (piece)	0.090 kg

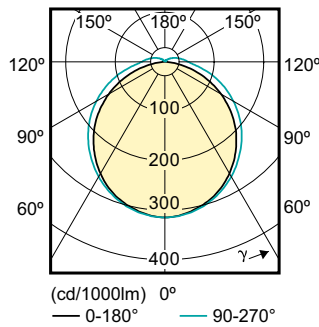
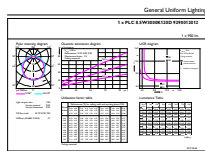
Dimensional drawing



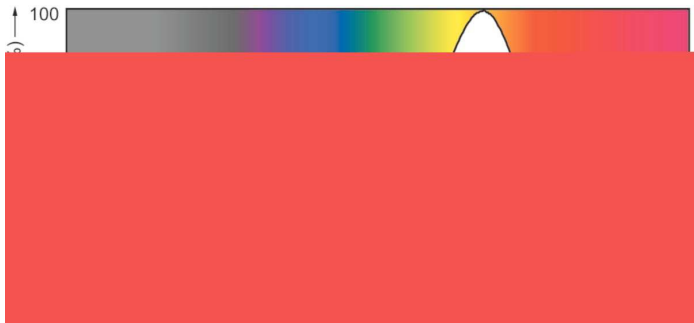
LEDtube PLC 8.5W G24d-3/830 2P

Product	D1	D2	A1	A2	A3
LED PLC 8.5W 830 2P G24d-3	24.3 mm	28.4 mm	128.8 mm	148 mm	170.6 mm

Photometric data



LEDtube PLC 100mm 9W G24D-3 830 950lm



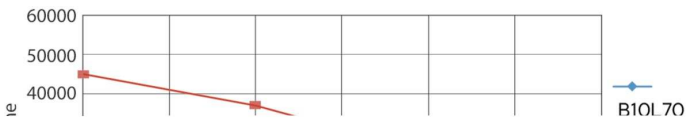
CorePro LED PLC 2P

Lifetime



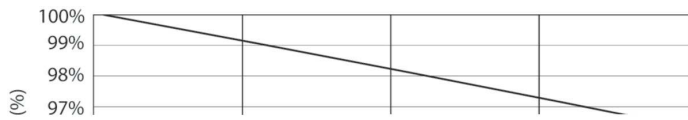
LEDtube PLC 100mm 9W G24D-3 830 950lm

LEDtube PLC 100mm 9W G24D-3 830 950lm



LEDtube PLC 100mm 9W G24D-3 830 950lm

LEDtube PLC 100mm 9W G24D-3 830 950lm



LEDtube PLC 100mm 9W G24D-3 830 950lm

