

# EB-Certalume for TL5 lamps

## EB-Ci 1-2 14-28W 220-240v 50/60 Hz

Affordable, reliable, high frequency electronic ballast for TL5 fluorescent lamps, ideal alternative for electromagnetic (EM) ballasts

### Product data

General Information	
Lamp type	TL5
Number of lamps	1-3 piece/unit
Suitable for outdoor use	No
Number of products on MCB (16 A type B) (max.)	30
Automatic restart	Yes

Operating and Electrical	
Input Voltage	220-240 V
Input frequency	50 or 60 Hz
Operating frequency (nom.)	42-60 kHz
Ignition method	Warm Start
Crest factor (max.)	1.7
Ignition time (nom.)	2.0 s
Mains voltage performance (AC)	-10%~+10%
Mains voltage safety (AC)	198...264V
Earth leakage current (max.)	0.5 mA
Inrush current width	0.224 ms
Ballast factor (nom.)	1
Power factor (max.)	0.98
Power factor (min.)	0.90

Input power (max.)	60.1 W
Input power (min.)	16.6 W
Power losses (max.)	4.8 W
Power losses (nom.)	2.1 W
Inrush current peak (max.)	17 A
Rated lamp power	14-28 W

Wiring	
Connector type input terminals	Insert
Cable capacity output wires mutual (max.)	150 pF
Connector type output terminals	Insert
Cable length hot-wiring	0.75 m
Wire strip length	7.5-8.5 mm
Input terminal cross section	0.50-1.50 mm <sup>2</sup>
Output terminal cross section	0.50-1.50 mm <sup>2</sup>
Cable capacity output wires to earth (max.)	150 pF
Connector type	Insert

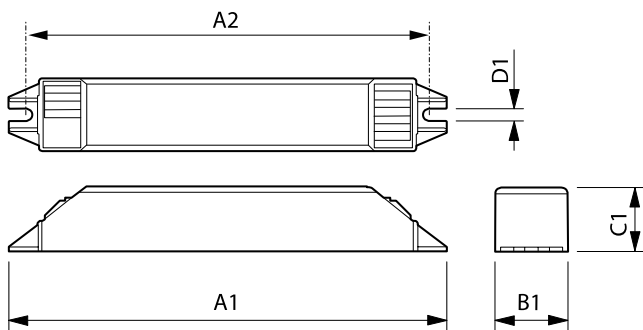
System characteristics	
Rated lamp power on TL5	14-28 W
System power on TL5	16.6-60.1 W
Lamp power on TL5	14.5-27.8 W

## EB-Certalume for TL5 lamps

Power loss on TL5	2.1-4.8 W
<b>Temperature</b>	
T-ambient (max.)	50 °C
T case lifetime (max.)	75 °C
T-Case maximum (max.)	75 °C
T-Ignition (max.)	50 °C
T-Ignition (min.)	-10 °C
<b>Mechanical and Housing</b>	
Housing material	Plastic
Housing	L210x30x26mm
<b>Emergency Operation</b>	
Battery voltage lamp ignition	165-253 V
<b>Approval and Application</b>	
Energy efficiency index	A2
IP classification	IP 20 [ Ingress Protection 20]
EMI 9 kHz ... 30 MHz	EN55015
EMI 30 MHz ... 1,000 MHz	EN 55015

Environmental standard	ISO 14001
Vibration standard	IEC 60068-2-29 FB
Bumps standard	Not specified
Approval marks	CB Certificate CCC certificate TISI marking PSB certification RCM compliance
Temperature marking	Yes
Humming and noise level	< 30 dB(A)
<b>Product Data</b>	
Full product code	694793913355000
Order product name	EB-Ci 1-2 14-28W 220-240V 50/60 Hz
EAN/UPC – product	6947939133550
Order code	13355000
SAP numerator – quantity per pack	1
Numerator – packs per outer box	30
SAP material	913713043280
SAP net weight (piece)	0.080 kg

### Dimensional drawing



EB-Ci 1-2 14-28W 220-240v 50/60 Hz

Product	A1	A2	B1	C1	D1
EB-Ci 1-2 14-28W 220-240V 50/60 Hz	210 mm	200 mm	30 mm	26 mm	4.3 mm

