

Electronic transformers

ET-E 30 220-240V

A high frequency electronic transformer for operation with 12V halogen lamps. It is fully IEC compliant with unique compact size and light weight

Warnings and Safety

- Transformer is not suitable for DC operation

Product data

| General Information | |
|--|--------------|
| Number of products on MCB (16 A type B) (max.) | 50 |
| Automatic restart | No |
| Operating and Electrical | |
| Input Voltage | 220 to 240 V |
| Input frequency | 50 to 60 Hz |
| Operating frequency (nom.) | 45-66 kHz |
| Power factor 100% load (nom.) | 0.9 |
| Mains voltage performance (AC) | 202...254V |
| Mains voltage safety (AC) | 198...264V |
| Inrush current width | 0.28 ms |
| Power losses (nom.) | 6 W |
| Inrush current peak (max.) | 10 A |
| Output voltage | 11.3 V |
| Wiring | |
| Connector type input terminals | cable |
| Cable capacity wires device to lamp (max.) | 0.12 nF |
| Colour input terminals | BLK & WHT |

| | |
|----------------------------------|------------|
| Colour output terminals | Red |
| Connector type output terminals | cable |
| Cable length from device to lamp | 1.5 m |
| Wire strip length | 8.0-9.0 mm |

| System characteristics | |
|--------------------------|------|
| Rated ballast-lamp power | 30 W |

| Temperature | |
|-----------------------|--------|
| T-ambient (max.) | 50 °C |
| T-ambient (min.) | -20 °C |
| T storage (max.) | 50 °C |
| T storage (min.) | -40 °C |
| T-Case maximum (max.) | 65 °C |

| Approval and Application | |
|--------------------------|------------|
| Approval marks | SELV |
| Humming and noise level | < 30 dB(A) |

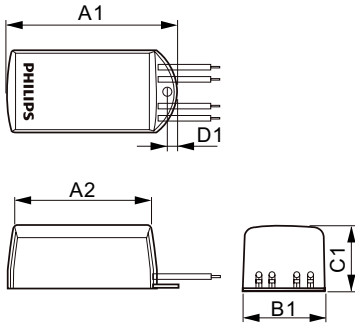
Electronic transformers

Product Data

| | |
|-----------------------------------|------------------|
| Full product code | 694793917165100 |
| Order product name | ET-E 30 220-240V |
| EAN/UPC – product | 6947939171651 |
| Order code | 17165100 |
| SAP numerator – quantity per pack | 1 |

| | |
|---------------------------------|--------------|
| Numerator – packs per outer box | 48 |
| Material no. (12 NC) | 913710032964 |
| SAP net weight (piece) | 0.050 kg |

Dimensional drawing



ET-E 30 220-240V

| Product | D1 | C1 | A1 | B1 | A2 |
|------------------|--------|---------|-------|-------|-------|
| ET-E 30 220-240V | 4.4 mm | 24.5 mm | 76 mm | 38 mm | 72 mm |

