



Dynalite System Integration

DDFCUC010

Fan Coil Unit Controller for direct connection to air conditioning systems

The Philips Dynalite DDFCUC010 is a fan coil unit controller designed for direct connection to components commonly found in air conditioning systems.

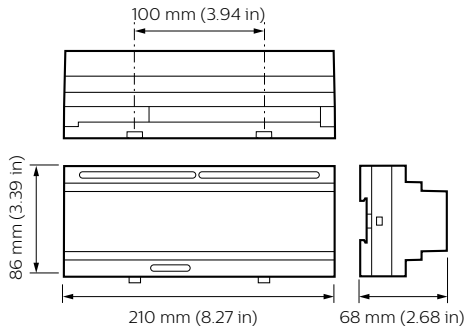
Product data

General Information	
CE mark	CE mark
Remarks	Please download the Lighting - Product Data Sheet for more information and ordering options
EU RoHS compliant	Yes
Product Data	
Full product code	871016352600300
Order product name	DDFCUC010

EAN/UPC – product	8710163526003
Order code	52600300
SAP numerator – quantity per pack	1
Numerator – packs per outer box	1
Material no. (12 NC)	913703081909
SAP net weight (piece)	0.800 kg

Dynalite System Integration

Dimensional drawing



Dynalite System Integration

