



# Dynalite System Integration

## DDNG-KNX

KNX Network Gateway providing high level KNX integration

KNX Network Gateway providing high level KNX integration

### Product data

General Information	
CE mark	CE mark
Remarks	Please download the Lighting - Product Data Sheet for more information and ordering options
EU RoHS compliant	Yes

Product Data	
Full product code	871016352342200
Order product name	DDNGKNX

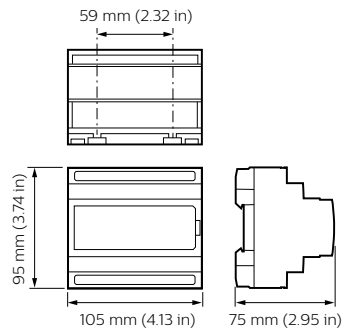
EAN/UPC – product	8710163523422
Order code	52342200
SAP numerator – quantity per pack	1
Numerator – packs per outer box	1
Material no. (12 NC)	913703080509
SAP net weight (piece)	0.150 kg

# Dynalite System Integration

## Dimensional drawing



Dynalite System Integration



Dynalite System Integration

