



HF-Performer Intelligent for TL5 HE/HO lamps

HF-Pi 1 28/35/49/80 TL5 EII 220-240V

HF-Performer Intelligent for Master and ECO TL5 HE/HO, TL-D and PL-L lamps HF-Performer Intelligent features automatic recognition of the connected lamp and is independently able to adjust its operation parameters exactly to the respective lamp. This results in a substantial benefit, especially for T5 lamps, as it means TL5 HE and HO lamps of the same length can be interchanged. With a choice of seven ballasts, the customer is able to handle efficiently every possible combination of Master TL5 and Eco, TL-D, and PL-L lamps.

Product data

General Information	
Application code	EII
Lamp type	TL5
Number of lamps	1 piece/unit
Number of products on MCB (16 A type B) (nom.)	12
Automatic restart	Yes

Operating and Electrical	
Input Voltage	220 to 240 V
Input frequency	50 to 60 Hz
Ignition method	Warm Start
Crest factor (max.)	1.7
Ignition time (max.)	5.0 s
Mains voltage performance (AC)	-8%+6%

Mains voltage safety (AC)	-10%+10%
Earth leakage current (max.)	0.5 mA
Inrush current width	0.35 ms
Constant wattage deviation	-2%/+2%
Ballast factor (nom.)	1.00
Power losses (nom.)	4.0-5.4 W
Inrush current peak (max.)	31 A

Wiring	
Connector type input terminals	Insert
Cable capacity output wires mutual (nom.)	150 pF
Connector type output terminals	Insert
Cable length hot-wiring	0.75 m
Wire strip length	8.0-9.0 mm
Input terminal cross section	0.50-1.00 mm ²

HF-Performer Intelligent for TL5 HE/HO lamps

Output terminal cross section	0.50-1.00 mm ²
Cable capacity output wires to earth (nom.)	150 pF

System characteristics

Rated ballast-lamp power	28/35/49/80 W
Rated lamp power on TL5	28/35/49/80 W
System power on TL5	34.7/43.3/55/89.8 W
Lamp power on TL5	30.7/38.7/50.2/84 W
Power loss on TL5	4/4.6/4.8/5.8 W

Temperature

T-ambient (max.)	50 °C
T-ambient (min.)	-25 °C
T storage (max.)	80 °C
T storage (min.)	-40 °C
T-case lifetime (nom.)	75 °C
T-Case maximum (max.)	75 °C
T-ignition (max.)	50 °C
T-ignition (min.)	-25 °C

Mechanical and Housing

Housing	L360x30x22
---------	------------

Emergency Operation

Nominal light output after 60 seconds	100% of EBLF
Battery voltage lamp operation	198-276
Emergency ballast lumen factor (EBLF) (nom.)	100 %
Nominal light output after 5 seconds	50% of EBLF

Approval and Application

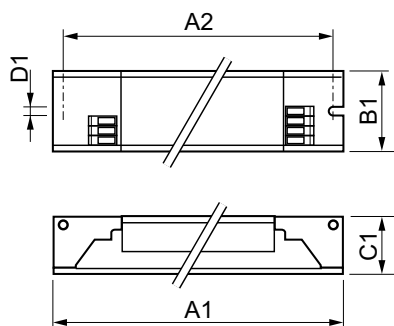
Energy efficiency index	A2 BAT
-------------------------	--------

IP classification	IP 20 [Ingress Protection 20]
EMI 9 kHz ... 30 MHz	EN55015
EMI 30 MHz ... 1,000 MHz	EN 55022 Class B
Safety standard	IEC 61347-2-3
Performance standard	IEC 60929
Quality standard	ISO 9000:2000
Environmental standard	ISO 14001
Harmonic current emission standard	IEC 61000-3-2
EMC immunity standard	IEC 61547
Vibration standard	IEC68-2-6 F c
Bumps standard	IEC 68-2-29 Eb
Humidity standard	EN 61347-2-3 clause 11
Approval marks	CE marking ENEC certificate VDE-EMV certificate
Temperature marking	Yes
Emergency standard	IEC 60598-2-22
Humming and noise level	Inaudible

Product Data

Full product code	872790086249200
Order product name	HF-Pi 1 28/35/49/80 TL5 EII
EAN/UPC – product	8711500881182
Order code	86249200
SAP numerator – quantity per pack	1
Numerator – packs per outer box	12
SAP material	913700652566
SAP net weight (piece)	0.247 kg

Dimensional drawing



HF-Pi 1 28/35/49/80 TL5 EII 220-240V

Product

HF-Pi 1 28/35/49/80 TL5 EII

HF-Performer Intelligent for TL5 HE/HO lamps

