



# Malaga SGS101

## SGS101 SON-I-70W-CO K II MR 42/60A

MALAGA - SON-I - 70 W - Lamp(s) included - Safety class II (II)  
 - Moveable reflector - Universal for diameter 42-60 mm adjustable

Malaga is a versatile road-lighting luminaire. It offers modern styling and quality lighting for safe and comfortable driving, and for area illumination, with low investment and maintenance costs. The optical system has been designed to deliver good beam control and light output. Malaga provides optimal illuminance and good uniformity when the mounting height approximately equals the road width and the mast spacing is approximately 3.5 times the road width. It is suitable for post-top and side-entry mounting; a wall-mounting bracket is also available.

### Product data

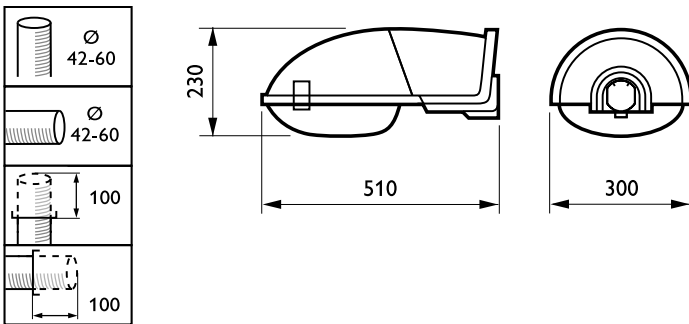
General Information		Product family code	
Number of light sources	1 [ 1 pc]	Product family code	SGS101 [ MALAGA]
Lamp family code	SON-I	Light Technical	
Lamp power	70 W	Standard tilt angle post-top	0°
Cap base	E27 [ E27]	Standard tilt angle side entry	0°
Kombipack	Lamp(s) included	Operating and Electrical	
Gear	CONV [ Conventional]	Input Voltage	230 V (default) or 240 V
Optical cover/lens type	PC [ Polycarbonate bowl/cover]	Ignitor	No [ -]
Light regulation	-	Mechanical and Housing	
Protection class IEC	Safety class II (II)	Lamp Finish	Coated glass
CE mark	CE mark	Mounting device	42/60A [ Universal for diameter 42-60 mm adjustable]
ENEC mark	ENEC mark	Colour	Gray
Optic type outdoor	Moveable reflector		
Photocell	No [ -]		

# Malaga SGS101

<b>Dimensions (height x width x depth)</b> NaN x NaN x NaN mm (NaN x NaN x NaN in)		<b>EAN/UPC – product</b>	8711559119786
<b>Approval and Application</b>		<b>Order code</b>	11978600
<b>Ingress protection code</b>	IP43/65 [ Wire-protected, rain/spray-proof; dust penetration-protected, jet-proof]	<b>Numerator – quantity per pack</b>	1
<b>Mech. impact protection code</b>	IK08 [ 5 J vandal-protected]	<b>Numerator – packs per outer box</b>	1
<b>Product Data</b>		<b>SAP material</b>	910925816512
<b>Full product code</b>	871155911978600	<b>SAP net weight (piece)</b>	4.500 kg
<b>Order product name</b>	SGS101 SON-I-70W-CO K II MR 42/60A		



## Dimensional drawing



SGS101

