



Malaga SGS101

SGS101 SON-TPP70W K II MR SKD 42/60A

MALAGA - SON-T PIA Plus - 70 W - Lamp(s) included - Safety class II (II) - Moveable reflector - Digital semi-parallel MK4 - Universal for diameter 42-60 mm adjustable

Malaga is a versatile road-lighting luminaire. It offers modern styling and quality lighting for safe and comfortable driving, and for area illumination, with low investment and maintenance costs. The optical system has been designed to deliver good beam control and light output. Malaga provides optimal illuminance and good uniformity when the mounting height approximately equals the road width and the mast spacing is approximately 3.5 times the road width. It is suitable for post-top and side-entry mounting; a wall-mounting bracket is also available.

Product data

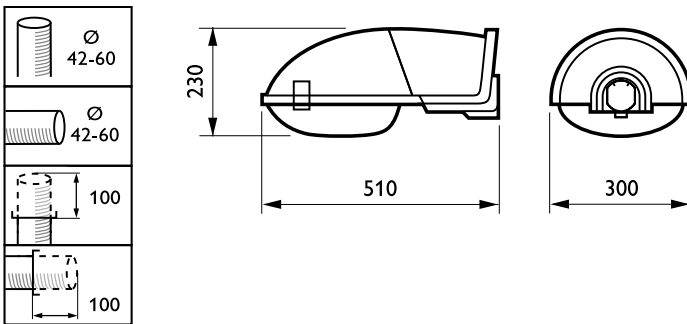
| General Information | | Product family code | |
|-------------------------|--------------------------------|--------------------------------|--|
| Number of light sources | 1 [1 pc] | Product family code | SGS101 [MALAGA] |
| Lamp family code | SON-TPP [SON-T PIA Plus] | Light Technical | |
| Lamp power | 70 W | Standard tilt angle post-top | 0° |
| Cap base | E27 [E27] | Standard tilt angle side entry | 0° |
| Kombipack | Lamp(s) included | Operating and Electrical | |
| Gear | CONV [Conventional] | Input Voltage | 230 V (default) or 240 V |
| Optical cover/lens type | PC [Polycarbonate bowl/cover] | Ignitor | SKD [Digital semi-parallel MK4] |
| Light regulation | - | Mechanical and Housing | |
| Protection class IEC | Safety class II (II) | Mounting device | 42/60A [Universal for diameter 42-60 mm adjustable] |
| CE mark | CE mark | Colour | Gray |
| ENEC mark | ENEC mark | | |
| Optic type outdoor | Moveable reflector | | |
| Photocell | No [-] | | |

Malaga SGS101

| | | | |
|--|--|--|---------------|
| Dimensions (height x width x depth) NaN x NaN x NaN mm (NaN x NaN x NaN in) | | EAN/UPC – product | 8711559119779 |
| Approval and Application | | Order code | 11977900 |
| Ingress protection code | IP43/65 [Wire-protected, rain/spray-proof; dust penetration-protected, jet-proof] | Numerator – quantity per pack | 1 |
| Mech. impact protection code | IK08 [5 J vandal-protected] | Numerator – packs per outer box | 1 |
| Product Data | | SAP material | 910925812912 |
| Full product code | 871155911977900 | SAP net weight (piece) | 4.600 kg |
| Order product name | SGS101 SON-TPP70W K II MR SKD 42/60A | | |



Dimensional drawing



SGS101

