



# Maxos LED

## 4MX850 491 LED55S/840 PSD NB SI

Maxos Led Industry - Generation 3 - 1 unit for TL5 49 W - LED Module, system flux 5500 lm - 840 neutral white - Power supply unit with DALI interface - Narrow beam - Silver

Customers in the industrial and retail sectors are looking for general lighting solutions with a justifiable payback, while meeting all relevant norms for supermarkets and industry applications. For a limited investment, Maxos LED Industry offers best-in-class energy savings while delivering high lux levels at the required color temperatures and glare factors. The minimalistic Maxos LED Industry system comprises exchangeable mid-power LED boards mounted on a standard Maxos trunking rail. A choice of wide and medium-beam lenses means flexibility in light distribution. Compared with a conventional fluorescent installation, this highly efficient LED solution offers full payback in less than three years. And the benefits keep coming: the use of our upgradable LED engine platform makes Maxos LED Industry a truly future-proof solution.

### Product data

| General Information           |  |                             |   |
|-------------------------------|--|-----------------------------|---|
| Number of light sources       | 1 [ 1 pc]                                    | Optic type                  | NB [ Narrow beam]                           |
| Lamp family code              | LED55S [ LED Module, system flux 5500 lm]    | Optical cover/lens type     | PM [ PMMA bowl/cover]                       |
| Beam angle of light source    | 120 °  | Luminaire light beam spread | 50°   |
| Light source colour           | 840 neutral white                            | Control interface           | DALI  |
| Cap base                      | - [ -]                                       | Connection                  | CU5 [ Connection unit 5-pole]               |
| Light source replaceable      | No   | Cable                       | -   |
| Number of gear units          | 1 unit                                       | Protection class IEC        | Safety class I (I)                          |
| Gear                          | -  | Glow-wire test              | 650/30 [ Temperature 650 °C, duration 30 s] |
| Driver/power unit/transformer | PSD [ Power supply unit with DALI interface] | Flammability mark           | NO [ -]                                     |
| Driver included               | Yes  | CE mark                     | CE mark                                     |
|                               |  | ENEC mark                   | ENEC mark                                   |

# Maxos LED

|   |  |
|---|--|
| UL mark                                 | -  |
| Warranty period                         | 5 years  |
| Remarks                                 | *- According to the Lighting Europe guidance paper 'Evaluating performance of LED based luminaires – January 2018': statistically there is no relevant difference in lumen maintenance between the B50 and, for example, the B10. Therefore, the median useful life (B50) value also represents the B10 value. |
| Constant light output                   | No   |
| Number of products on MCB (16 A type B) | 24   |
| EU RoHS compliant                       | Yes  |
| Product family code                     | 4MX850 [ Maxos Led Industry]   |
| Unified glare rating CEN                | Not applicable   |

## Operating and Electrical

|                        |                |
|------------------------|----------------|
| Input Voltage          | 220-240 V      |
| Input frequency        | 50 to 60 Hz    |
| Control signal voltage | 0-16 V DC DALI |
| Inrush current         | 21 A           |
| Inrush time            | 0.280 ms       |
| Power factor (min.)    | 0.9            |

## Controls and Dimming

|          |     |
|----------|-----|
| Dimmable | Yes |
|----------|-----|

## Mechanical and Housing

|                             |                            |
|-----------------------------|----------------------------|
| Trunking length             | 491 [ 1 unit for TL5 49 W] |
| Housing material            | Steel                      |
| Reflector material          | -                          |
| Optic material              | Polymethyl methacrylate    |
| Optical cover/lens material | Polymethyl methacrylate    |
| Fixation material           | Steel                      |
| Optical cover/lens finish   | Clear                      |
| Overall length              | 1478 mm                    |
| Overall width               | 63 mm                      |
| Overall height              | 50 mm                      |
| Colour                      | Silver                     |

|                                     |                                       |
|-------------------------------------|---------------------------------------|
| Dimensions (height x width x depth) | 50 x 63 x 1478 mm (2 x 2.5 x 58.2 in) |
|-------------------------------------|---------------------------------------|

## Approval and Application

|                              |                          |
|------------------------------|--------------------------|
| Ingress protection code      | IP20 [ Finger-protected] |
| Mech. impact protection code | IK02 [ 0.2 J standard]   |

## Initial Performance (IEC Compliant)

|                                |                        |
|--------------------------------|------------------------|
| Initial luminous flux          | 5500 lm                |
| Luminous flux tolerance        | +/-10%                 |
| Initial LED luminaire efficacy | 167 lm/W               |
| Init. Corr. Colour Temperature | 4000 K                 |
| Init. Colour rendering index   | ≥80                    |
| Initial chromaticity           | (0.38, 0.38) SDCM <3.5 |
| Initial input power            | 33 W                   |
| Power consumption tolerance    | +/-10%                 |

## Over Time Performance (IEC Compliant)

|  |     |
|--|-----|
| Control gear failure rate at median useful life 50,000 h | 5 % |
| Lumen maintenance at median useful life* 50,000 h        | L80 |

## Application Conditions

|                                    |                |
|------------------------------------|----------------|
| Ambient temperature range          | -20 to +35 °C  |
| Performance ambient temperature Tq | 25 °C          |
| Maximum dimming level              | 1%             |
| Suitable for random switching      | Not applicable |

## Product Data

|                                   |                                 |
|-----------------------------------|---------------------------------|
| Full product code                 | 403073266126899                 |
| Order product name                | 4MX850 491 LED55S/840 PSD NB SI |
| EAN/UPC – product                 | 4030732661268                   |
| Order code                        | 66126899                        |
| SAP numerator – quantity per pack | 1                               |
| Numerator – packs per outer box   | 3                               |
| SAP material                      | 910629120926                    |
| SAP net weight (piece)            | 1.765 kg                        |

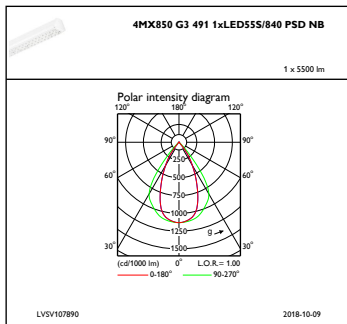


Dimensional drawing

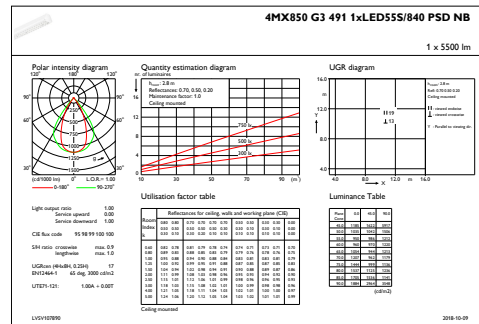
782

Maxos LED electr. units 4MX850-883

Photometric data



IFPC1\_4MX850G34911xLED55S840PSDNB



IFGU1\_4MX850G34911xLED55S840PSDNB

