

PHILIPS

ActiLume G2 Indus
Sensor H513 N

LRI1668



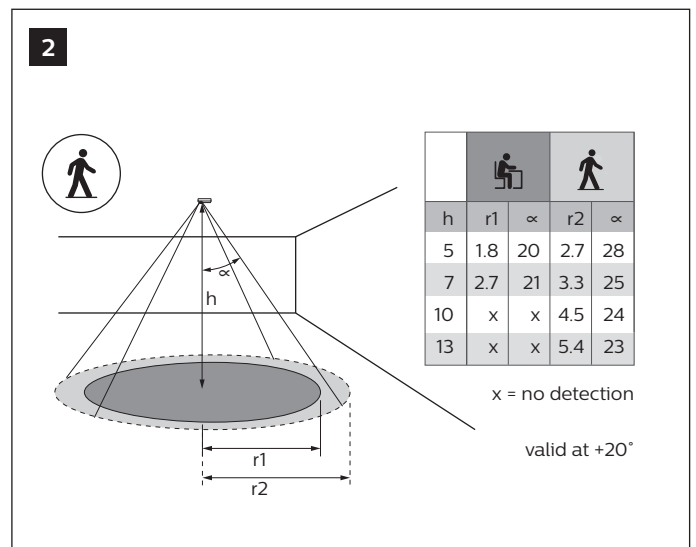
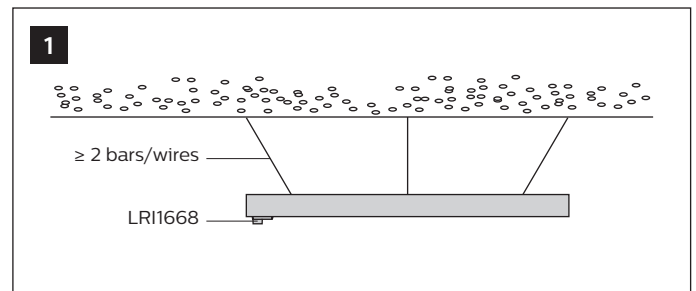
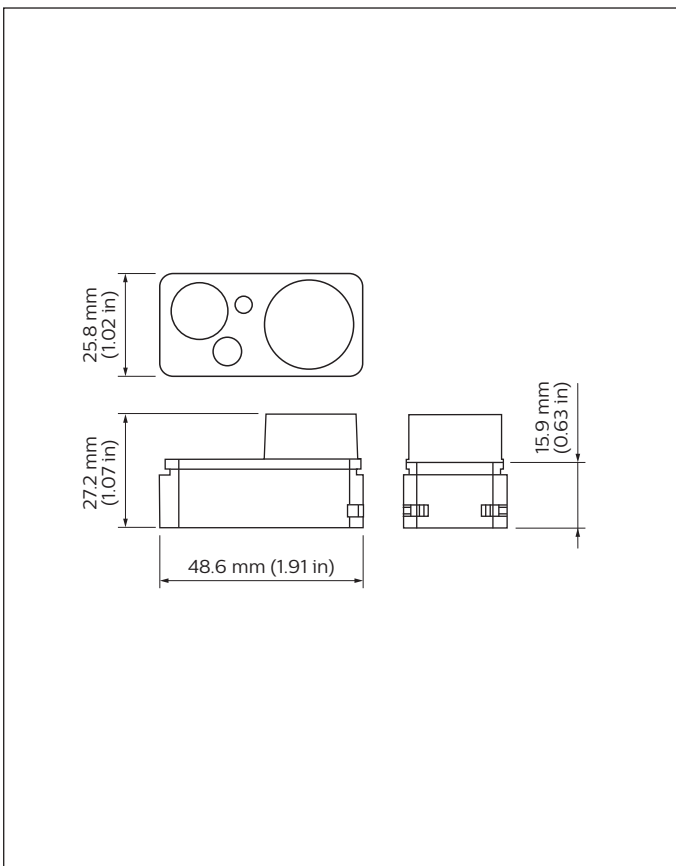
Installation Instructions

Instructions d'installation
Instrucciones de instalación

Istruzioni per l'installazione
Installatie-instructies

Installationsanweisungen
インストール手順

安装指示书
إرشادات التركيب



max
55° C
min
-20° C

IP54
(front surface)
IP20
(rest of the
product)

0.034 kg

RH
20 - 80%

