



# HF-Regulator II for PL-L lamps – Dimming: a next step in energy saving

## HF-Regulator II for PL-L lamps

High-frequency electronic dimming ballast, using the analog protocol (1-10 V) for PL-L lamps

### Benefits

- The lamp power can be dimmed from 1 to 100% via the Analog control input (in accordance with the 1-10 V industry standard)
- Compliant with European and Asian norms and suitable for emergency lighting systems
- HF operation improves light quality, lamp lifetime
- Combined with controls, additional energy savings can be achieved

### Features

- Programmed start: flicker-free ignition < 0.5 seconds and striation-free operation, no stroboscopic effects. Preheating the lamp electrodes enables the lamps to be switched on and off without reducing life
- Smart power ensures constant light, independent of mains fluctuations
- Up to 60% reduction in energy consumption by using automatic lighting control systems
- Stop circuit is activated within 5 seconds in the event of lamp failure (safety stop), and ballast resets automatically after lamp replacement

### Application

- Indoor, general and task lighting applications in combination with lighting control systems (personal control, daylight linking and/or movement detection)

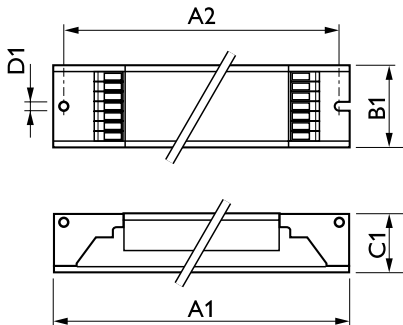
# HF-Regulator II for PL-L lamps

## Versions



Vysokofrekvenční elektronický předřadník pro regulaci stmívání s použitím analogového protokolu (1–10 V) pro zářivky PL-L

## Dimensional drawing



Product	D1	C1	A1	A2	B1
HF-R 424 TL5/PL-L EII 220-240V 50/60Hz	4.2 mm	22 mm	359 mm	350 mm	39 mm

