

Product Description

EB-Certalume for TL5 lamps

Affordable, reliable, high frequency electronic ballast for TL5 fluorescent lamps, ideal alternative for electromagnetic (EM) ballasts

Benefits

- Energy efficient, CELMA A3, saving 25% energy compared to electromagnetic “C-type” ballasts
- The EB-C TL5 range has a robust design and meets safety, EMC and Immunity tests including safety approbation via an external test-house covering IEC/EN 61347.
- Ideal alternative for electromagnetic ballast, no ignitor needed

Features

- Energy efficient CELMA A3
- Complying to CCC certificate including safety acc IEC 61347
- 25.000 hour lifetime at Tc max. and 3.000 on/off switches on one lamp.
- Rapid, flicker-free or warm lamp start (< 2.0 s)
- High power factor 0.95 with THD <25%
- EMC compliant to EN 55015 2006 + A1 2007
- 45 degree connector for easy connection with push button release.

Application

- Designed for applications where lamps burn for a long period of time and switching cycle (on/off) is infrequent. Typical areas of application include:
- Professional indoor applications (e.g. offices and hotels)
- Department stores, shops, supermarkets and public area's
- Indoor lighting boxes
- Homes

EB-Certalume for TL5 lamps

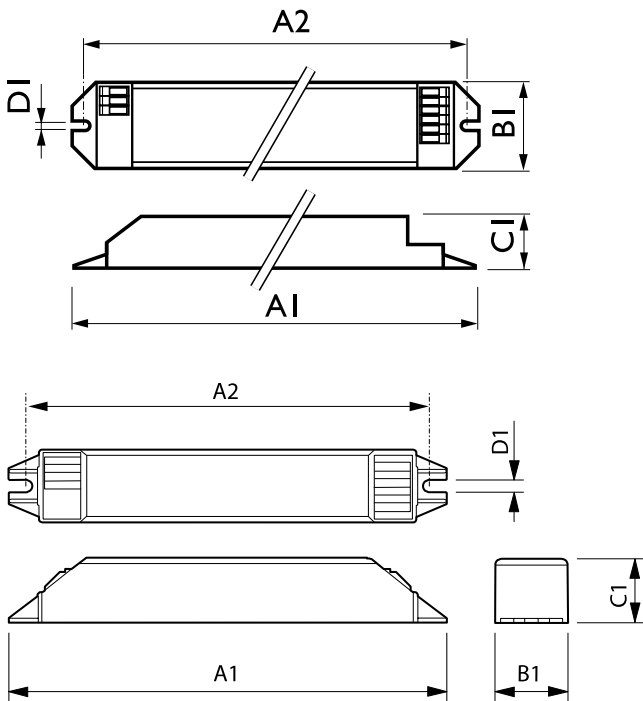
Versions



EB-Ci 1-2 14-28W 220-240V 50/60 Hz

EB-C 114 TL5 220-240V 50/60Hz

Dimensional drawing



Product	D1	C1	A1	A2	B1
EB-C 114 TL5 220-240V 50/60Hz	4.2 mm	21.0 mm	275.0 mm	265.0 mm	19.8 mm
EB-C 128 TL5 220-240V 50/60Hz	4.2 mm	21.0 mm	275.0 mm	265.0 mm	19.8 mm

Product	A1	A2	B1	C1	D1
EB-Ci 1-2 14-28W 220-240V 50/60 Hz	210 mm	200 mm	30 mm	26 mm	4.3 mm

Approval and Application

Energy Efficiency Index A2

General Information

Lamp Type TL5

Operating and Electrical

Order Code	Full Product Name	Input Frequency	Input Voltage
13355000	EB-Ci 1-2 14-28W 220-240v 50/60 Hz	50 or 60 Hz	220-240 V
88654200	EB-C 114 TL5 220-240V 50/60Hz	50 to 60 Hz	220 to 240 V

Order Code	Full Product Name	Input Frequency	Input Voltage
88656600	EB-C 128 TL5 220-240V 50/60Hz	50 to 60 Hz	220 to 240 V

EB-Certalume for TL5 lamps

General Information

Order Code	Full Product Name	Number Of Products On MCB (16A Type)	
		B) (Max)	Number Of Lamps
13355000	EB-Ci 1-2 14-28W 220-240v 50/60 Hz	30	1-3 piece/unit
88654200	EB-C 114 TL5 220-240V 50/60Hz	-	1 piece/unit

Order Code	Full Product Name	Number Of Products On MCB (16A Type)	
		B) (Max)	Number Of Lamps
88656600	EB-C 128 TL5 220-240V 50/60Hz	-	1 piece/unit

Mechanical and Housing

Order Code	Full Product Name	Housing
13355000	EB-Ci 1-2 14-28W 220-240v 50/60 Hz	L210x30x26mm
88654200	EB-C 114 TL5 220-240V 50/60Hz	L 275x20x21

Order Code	Full Product Name	Housing
88656600	EB-C 128 TL5 220-240V 50/60Hz	L 275x20x21

System characteristics

Order Code	Full Product Name	Lamp Power On	Rated Ballast-
		TL5	Lamp Power
13355000	EB-Ci 1-2 14-28W 220-240v 50/60 Hz	14.5-27.8 W	-

Order Code	Full Product Name	Lamp Power On	Rated Ballast-
		TL5	Lamp Power
88654200	EB-C 114 TL5 220-240V 50/60Hz	14.8 W	14 W
88656600	EB-C 128 TL5 220-240V 50/60Hz	28.3 W	28 W

