



Highly reliable drivers for medium-wattage lamps

PrimaVision for CDM Elite MW

Highly reliable electronic drivers for medium-wattage lamps: 80,000 hours lifetime for the Xtreme version and 50,000 hours for the non-Xtreme versions

Benefits

- Most efficient white-light system in the industry in its power range
- Minimized maintenance costs for outdoor lighting thanks to very long lifetime
- Same energy consumption and smooth driving of the lamp regardless of fluctuations in mains voltage

Features

- Up to 92% system efficiency
- PrimaVision Xtreme 210W CDM lifetime: 80,000 hours (90% survival $T_c = 80\text{ }^\circ\text{C}$)
- PrimaVision Xtreme 210W CDM: 5 kA/10 kV lightning strike protection
- PrimaVision 315W CDM: lifetime 50,000 hours

Application

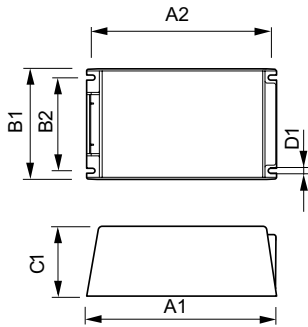
- High-bay shop lighting
- Flood and area lighting
- Road lighting and petrol stations
- Offices and industry

PrimaVision for CDM Elite MW

Versions



Dimensional drawing



Product	D1	C1	A1	A2	B1	B2
HID-PV 315/S CDM	4.2 mm	60.0	215.0	204.5	128.5	111.5
220-240V 50/60Hz		mm	mm	mm	mm	mm

