



MASTER LEDspot ExpertColor LV

MASTER LED MR16 ExpertColor 6.7-50W 927 36D

MASTER LEDspot LV ExpertColor creates a warm and comfortable ambience for hospitality venues, homes and restaurants. It creates such an ambience with superior lighting that has a customised spectrum, high CRI and deep dimming feature. The result? A beautiful lighting experience. What's more, the innovative, trimless lens design will suit almost any interior decor with its clean and neat look. In addition, you can take advantage of the full ExpertColor family, which also includes LEDspot MV and LEDspot Par lamps.

Product data

General Information	
Cap base	GU5.3 [GU5.3]
EU RoHS compliant	Yes
Nominal lifetime (nom.)	40000 h
Switching cycle	50,000X
Light Technical	
Colour Code	927 [CCT of 2,700 K]
Beam Angle (Nom)	36 °
Luminous flux (nom.)	450 lm
Luminous intensity (nom.)	1350 cd
Colour designation	Warm White (WW)
Correlated Colour Temperature (Nom)	2700 K
Luminous efficacy (rated) (nom.)	67.00 lm/W
Colour consistency	<3
Colour rendering index (nom.)	97
LLMF at end of nominal lifetime (nom.)	70 %

Operating and Electrical	
Input frequency	- Hz
Power (Rated) (Nom)	6.7 W
Lamp current (nom.)	650 mA
Wattage equivalent	50 W
Starting time (nom.)	0.5 s
Warm-up time to 60% light (nom.)	0.5 s
Power factor (nom.)	0.7
Voltage (Nom)	ac electronic 12 V
Temperature	
T-Case maximum (nom.)	92 °C
Controls and Dimming	
Dimmable	Only with specific dimmers

MASTER LEDspot ExpertColor LV

Mechanical and Housing

Bulb shape MR16 [2inch/50mm]

Approval and Application

Suitable for accent lighting Yes

Product Data

Full product code 871951435717400
 Order product name MASTER LED MR16 ExpertColor 6.7-50W 927 36D

EAN/UPC – product 8719514357174

Order code 35717400

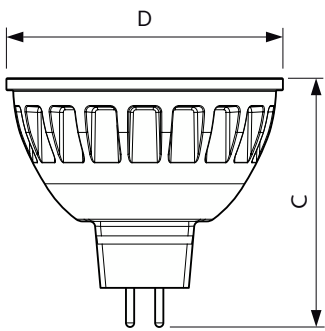
SAP numerator – quantity per pack 1

Numerator – packs per outer box 10

SAP material 929003077308

SAP net weight (piece) 0.052 kg

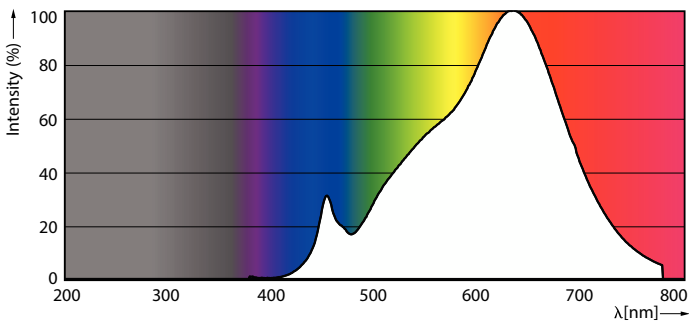
Dimensional drawing



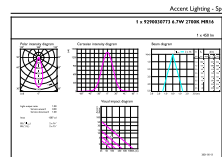
MASTER LED MR16 ExpertColor 6.7-50W 927 36D

Product	D	C
MASTER LED MR16 ExpertColor 6.7-50W 927 36D	50.5 mm	46 mm

Photometric data



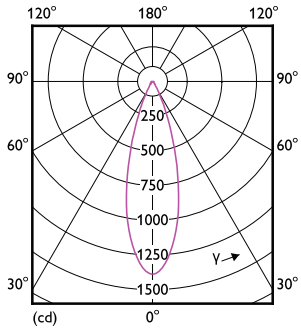
LEDspots MAS IC 6,7W MR16 GU5,3 927 60D-POC



LEDspots GMGC 1 6,7W MR16 GU5,3 927 36D-ADL

MASTER LEDspot ExpertColor LV

Photometric data



LEDspots GMGC 1 6,7W MR16 GU5,3 927 36D-LDD

Lifetime



LEDspots LED 40K



LEDspots LMP 40K

