



MASTER LEDspot ExpertColor LV

MASTER LED MR16 ExpertColor 6.7-50W 927 24D

MASTER LEDspot LV ExpertColor creates a warm and comfortable ambience for hospitality venues, homes and restaurants. It creates such an ambience with superior lighting that has a customized spectrum, high CRI, and deep dimming feature. The result? A beautiful lighting experience. What's more, the innovative, trimless lens design will suit almost any interior decor with its clean and neat look. In addition, you can take advantage of the full ExpertColor family, which also includes LEDspot MV and LEDspot Par lamps.

Product data

General Information	
Cap-Base	GU5.3 [GU5.3]
Nominal lifetime	40,000 hour(s)
Switching Cycle	50,000
Lighting Technology	LED
EU RoHS compliant	Yes

Light Technical	
Color Code	927 [CCT of 2700K]
Beam Angle (Nom)	24 degree(s)
Luminous Flux	450 lumen
Luminous Intensity (Nom)	2,200 cd
Color Designation	Warm White (WW)
Correlated Color Temperature (Nom)	2700 K
Luminous Efficacy (rated) (Nom)	67.00 lm/W
Color Consistency	<3
Color rendering index (CRI)	97

LLMF At End Of Nominal Lifetime (Nom) 70 %	
--------------------------------------------	--

Operating and Electrical	
Line Frequency	- Hz
Input Frequency	- Hz
Power Consumption	6.7 W
Lamp Current (Nom)	650 mA
Wattage Equivalent	50 W
Starting Time (Nom)	0.5 s
Warm-up time to 60% light	0.5 s
Power Factor (Fraction)	0.7
Voltage (Nom)	ac electronic 12 V

Temperature	
T-Case Maximum (Nom)	92 °C

MASTER LEDspot ExpertColor LV

Controls and Dimming

Dimmable	Only with specific dimmers
----------	----------------------------

Mechanical and Housing

Bulb Shape	MR16 [2inch/50mm]
------------	-------------------

Approval and Application

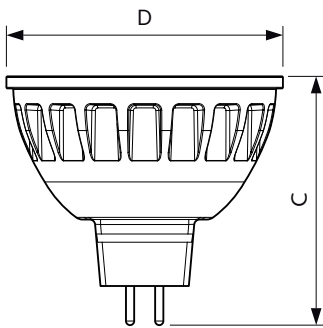
Suitable For Accent Lighting	Yes
------------------------------	-----

Product Data

Full product code	871951435709900
-------------------	-----------------

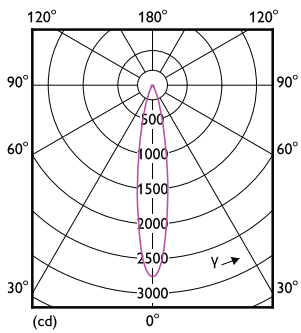
Order product name	MAS LED MR16 ExpertColor 6.7-50W 927 24D
Order code	35709900
Numerator - Quantity Per Pack	1
Numerator - Packs per outer box	10
Material Nr. (12NC)	929003077008
Full product name	MASTER LED MR16 ExpertColor 6.7-50W 927 24D
EAN/UPC - Case	8719514357105

Dimensional drawing

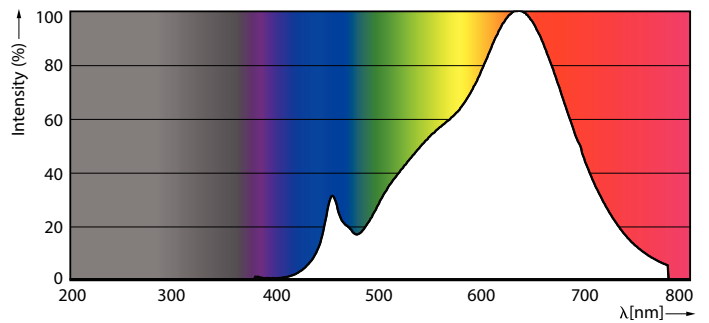


Product	D	C
MAS LED MR16 ExpertColor 6.7-50W 927 24D	50.5 mm	46 mm

Photometric data



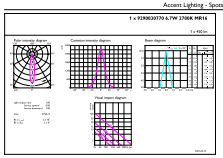
Light Distribution Diagram - MAS LED MR16 ExpertColor 6.7-50W 927 24D



Spectral Power Distribution Colour - MAS LED MR16 ExpertColor 6.7-50W 927 24D

MASTER LEDspot ExpertColor LV

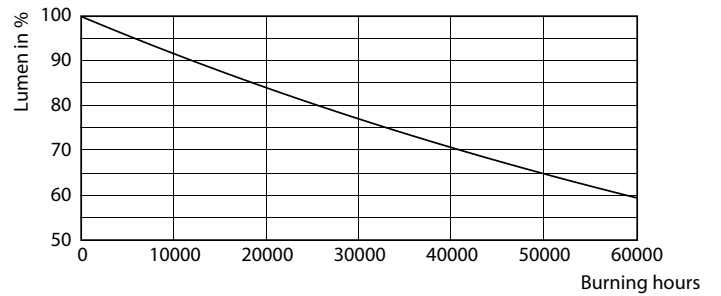
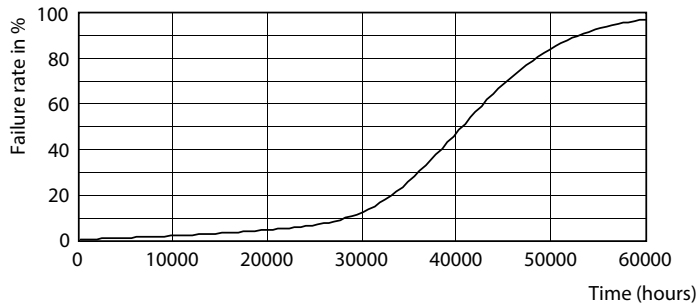
Photometric data



© 2023 Philips Lighting B.V. All rights reserved. Philips Lighting B.V. Page 11

Accent Lighting Spots - MAS LED MR16 ExpertColor 6.7-50W 927 24D

Lifetime



Life Expectancy Diagram - MAS LED MR16 ExpertColor 6.7-50W 927 24D

Lumen Maintenance Diagram - MAS LED MR16 ExpertColor 6.7-50W 927 24D

