



# MASTER LEDspot LV



## MASTER LED SPOT VLE D 7.5-50W MR16 930 60D

Delivering a warm, halogen-like accent beam, MASTER LEDspot LV is an ideal retrofit solution for spot and general lighting applications in the hospitality industry. It is particularly suited to public areas such as receptions, lobbies, corridors, stairwells and washrooms, where the light is on all the time. The robustly designed MASTER LEDspot offers a choice of beam angles for a clearly defined beam spread. There is no UV or IR in the beam, making it suitable for illuminating heat-sensitive objects (food, organic materials, paintings, etc.). The patented intelligent driver enables broad compatibility with existing electromagnetic and electronic halogen transformers. The dimmable versions drive further efficiencies, while helping to create the desired atmosphere.

### Warnings and Safety

- Operating temperature range is between -20° C and 45° C ambient
- Only to apply in dry or damp locations and most of open fixtures with lamp-holders that offer sufficient space (10 mm free air space)
- Not intended for use with emergency light fixtures or exit lights

### Product data

General Information			
Cap base	GU5.3 [ GU5.3]	Luminous flux (nom.)	630 lm
EU RoHS compliant	Yes	Luminous intensity (nom.)	800 cd
Nominal lifetime (nom.)	25000 h	Colour designation	White (WH)
Switching cycle	50,000X	Correlated Colour Temperature (Nom)	3000 K
	Narrow Cone	Luminous efficacy (rated) (nom.)	84.00 lm/W
		Colour consistency	<6
		Colour rendering index (nom.)	90
		LLMF at end of nominal lifetime (nom.)	70 %
		Luminous flux in 90° cone (rated)	630 lm
Light Technical			
Colour Code	930 [ CCT of 3,000 K]		
Beam Angle (Nom)	60 °		

# MASTER LEDspot LV

## Operating and Electrical

Input frequency	- Hz
Power (Rated) (Nom)	7.5 W
Lamp current (nom.)	660 mA
Wattage equivalent	50 W
Starting time (nom.)	0.5 s
Warm-up time to 60% light (nom.)	0.5 s
Power factor (nom.)	0.7
Voltage (Nom)	ac electronic 12 V

## Temperature

T-Case maximum (nom.)	95 °C
-----------------------	-------

## Controls and Dimming

Dimmable	Only with specific dimmers
----------	----------------------------

## Mechanical and Housing

Bulb shape	MR16 [ 2inch/50mm]
------------	--------------------

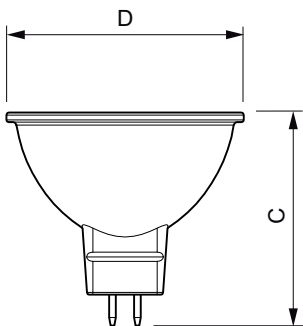
## Approval and Application

Energy Efficiency Class	F
Suitable for accent lighting	Yes
Energy consumption kWh/1,000 hours	8 kWh
	453184

## Product Data

Full product code	871951430740700
Order product name	MASTER LED SPOT VLE D 7.5-50W MR16 930 60D
EAN/UPC – product	8719514307407
Order code	30740700
SAP numerator – quantity per pack	1
Numerator – packs per outer box	10
SAP material	929002493602
SAP net weight (piece)	0.045 kg

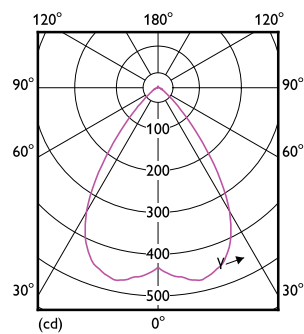
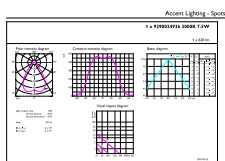
## Dimensional drawing



MASTER LED SPOT VLE D 7.5-50W MR16 930 60D

Product	D	C
MASTER LED SPOT VLE D 7.5-50W MR16 930 60D	50.5 mm	45.5 mm

## Photometric data

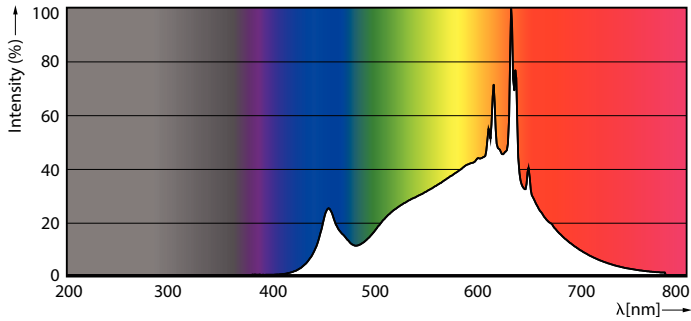


LEDspots MAS 7,5W MR16 GU5,3 930 60D

LEDspots MAS 7,5W MR16 GU5,3 930 60D

# MASTER LEDspot LV

## Photometric data



LEDspots MAS 7,5W MR16 GU5,3 930 60D

## Lifetime



LEDspots LED 25K



LEDspots LMP 25K

