



MASTER LEDspot LV



MASTER LED SPOT VLE D 7.5-50W MR16 927 36D

Delivering a warm, halogen-like accent beam, MASTER LEDspot LV is an ideal retrofit solution for spot and general lighting applications in the hospitality industry. It is particularly suited to public areas such as receptions, lobbies, corridors, stairwells and washrooms, where the light is on all the time. The robustly designed MASTER LEDspot offers a choice of beam angles for a clearly defined beam spread. There is no UV or IR in the beam, making it suitable for illuminating heat-sensitive objects (food, organic materials, paintings, etc.). The patented intelligent driver enables broad compatibility with existing electromagnetic and electronic halogen transformers. The dimmable versions drive further efficiencies, while helping to create the desired atmosphere.

Warnings and Safety

- Operating temperature range is between -20° C and 45° C ambient
- Only to apply in dry or damp locations and most of open fixtures with lamp-holders that offer sufficient space (10 mm free air space)
- Not intended for use with emergency light fixtures or exit lights

Product data

General Information	
Cap base	GU5.3 [GU5.3]
EU RoHS compliant	Yes
Nominal lifetime (nom.)	25000 h
Switching cycle	50,000X
	Narrow Cone
Light Technical	
Colour Code	927 [CCT of 2,700 K]
Beam Angle (Nom)	36 °
Luminous flux (nom.)	621 lm

Luminous intensity (nom.)	1600 cd
Colour designation	Warm White (WW)
Correlated Colour Temperature (Nom)	2700 K
Luminous efficacy (rated) (nom.)	82.00 lm/W
Colour consistency	<6
Colour rendering index (nom.)	90
LLMF at end of nominal lifetime (nom.)	70 %
Luminous flux in 90° cone (rated)	621 lm
Operating and Electrical	
Input frequency	- Hz

MASTER LEDspot LV

Power (Rated) (Nom)	7.5 W
Lamp current (nom.)	660 mA
Wattage equivalent	50 W
Starting time (nom.)	0.5 s
Warm-up time to 60% light (nom.)	0.5 s
Power factor (nom.)	0.7
Voltage (Nom)	ac electronic 12 V

Temperature

T-Case maximum (nom.)	95 °C
-----------------------	-------

Controls and Dimming

Dimmable	Only with specific dimmers
----------	----------------------------

Mechanical and Housing

Bulb shape	MR16 [2inch/50mm]
------------	--------------------

Approval and Application

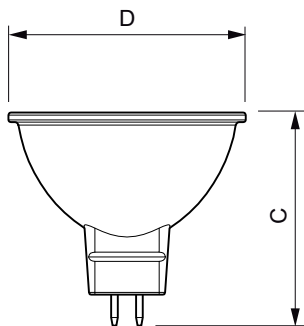
Energy Efficiency Class	F
-------------------------	---

Suitable for accent lighting	Yes
Energy consumption kWh/1,000 hours	8 kWh
	453180

Product Data

Full product code	871951430732200
Order product name	MASTER LED SPOT VLE D 7.5-50W MR16 927 36D
EAN/UPC – product	8719514307322
Order code	30732200
SAP numerator – quantity per pack	1
Numerator – packs per outer box	10
SAP material	929002493202
SAP net weight (piece)	0.045 kg

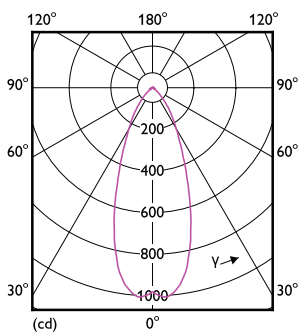
Dimensional drawing



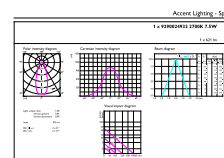
MASTER LED SPOT VLE D 7.5-50W MR16 927 36D

Product	D	C
MASTER LED SPOT VLE D 7.5-50W MR16 927 36D	50.5 mm	45.5 mm

Photometric data



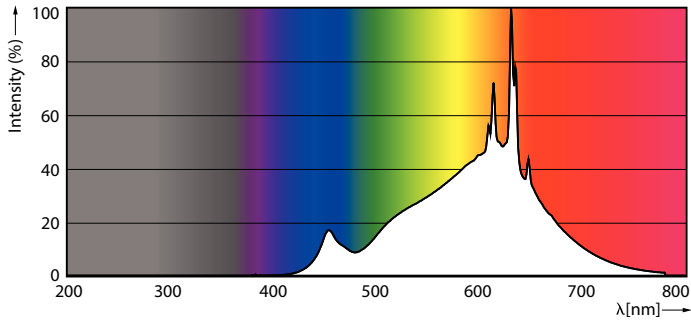
LEDspots MAS 7,5W MR16 GU5,3 927 36D



LEDspots MAS 7,5W MR16 GU5,3 927 36D

MASTER LEDspot LV

Photometric data

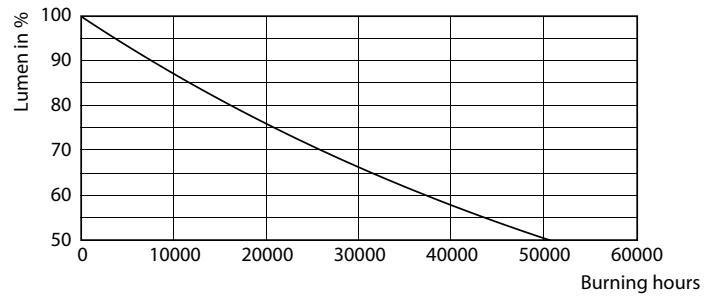


LEDspots MAS 7,5W MR16 GU5,3 927 36D

Lifetime



LEDspots LED 25K



LEDspots LMP 25K

