



MASTER LEDspot LV AR111

MAS LED SpotLV 20-100W 940 AR111 40D

Delivering a warm, halogen-like accent beam, MASTER LEDspot LV AR111 is an ideal retrofit solution for spot and general lighting applications in the hospitality and retail industry. It is particularly suitable for general lighting where the light is on all the time, such as creative accent lighting applications in shops, restaurants, hotels, and especially for galleries, exhibitions and museums. The robustly designed MASTER LEDspot LV AR111 offers various beam angles for a clearly defined beam spread. There is no UV or IR in the beam, making it suitable for illuminating heat-sensitive objects (food, organic materials, paintings, etc.). The patented intelligent driver enables broad compatibility with existing electromagnetic and electronic halogen transformers. MASTER LEDspot LV AR111 delivers huge energy savings and minimizes maintenance cost without any reduction in brightness.

Product data

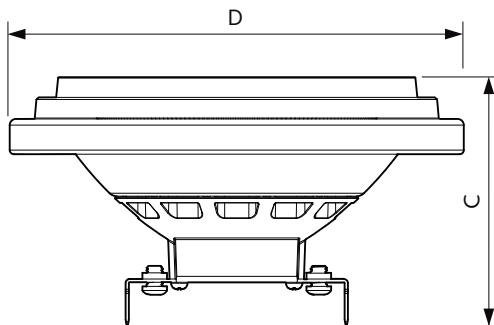
General Information		Luminous efficacy (rated) (nom.)	
Cap base	G53 [G53]		67.00 lm/W
EU RoHS compliant	Yes	Colour consistency	<4
Nominal lifetime (nom.)	25000 h	Colour rendering index (nom.)	91
Switching cycle	50,000X	LLMF at end of nominal lifetime (nom.)	70 %
Technical type	20-100W		
Light Technical		Operating and Electrical	
Colour Code	940 [CCT of 4,000 K]	Input frequency	- Hz
Beam Angle (Nom)	40 °	Power (Rated) (Nom)	20 W
Luminous flux (nom.)	1350 lm	Lamp current (nom.)	2400 mA
Luminous intensity (nom.)	2200 cd	Wattage equivalent	100 W
Colour designation	Cool White (CW)	Starting time (nom.)	0.5 s
Correlated Colour Temperature (Nom)	4000 K	Warm-up time to 60% light (nom.)	0.5 s
		Power factor (nom.)	0.7

MASTER LEDspot LV AR111

Voltage (Nom)	ac electronic 12 V
Temperature	
T-Case maximum (nom.)	80 °C
Controls and Dimming	
Dimmable	Yes
Mechanical and Housing	
Bulb shape	AR111
Approval and Application	
Suitable for accent lighting	Yes

Energy consumption kWh/1,000 hours	22 kWh
Product Data	
Full product code	871869969081600
Order product name	MAS LED SpotLV 20-100W 940 AR111 40D
EAN/UPC – product	8718699690816
Order code	69081600
SAP numerator – quantity per pack	1
Numerator – packs per outer box	6
SAP material	929002240308
SAP net weight (piece)	0.160 kg

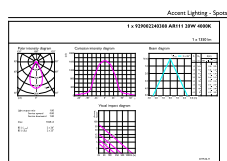
Dimensional drawing



AR111 12V 20-100W 1100lm 40D 4000K G53 D

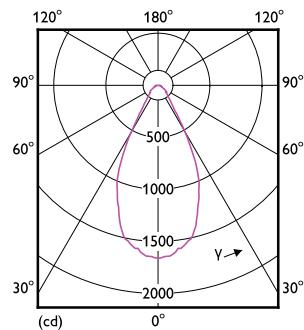
Product	D	C
MAS LED SpotLV 20-100W 940 AR111 40D	111 mm	62 mm

Photometric data



LEDspot LV AR111 20W-100W

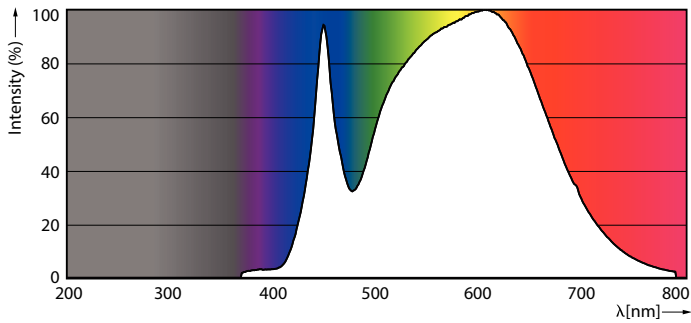
LEDspots 20W AR111 G53 940 40D-ADL



LEDspots 20W AR111 G53 940 40D-LDD

MASTER LEDspot LV AR111

Photometric data



LEDspots 20W AR111 G53 940 12D-POC

Lifetime



LEDspots LED 25K



LEDspots LMP 25K

