



MASTER LEDspot LV AR111

MAS LED SpotLV 20-100W 940 AR111 24D

Delivering a warm, halogen-like accent beam, MASTER LEDspot LV AR111 is an ideal retrofit solution for spot and general lighting applications in the hospitality and retail industry. It is particularly suitable for general lighting where the light is on all the time, such as creative accent lighting applications in shops, restaurants, hotels, and especially for galleries, exhibitions and museums. The robustly designed MASTER LEDspot LV AR111 offers various beam angles for a clearly defined beam spread. There is no UV or IR in the beam, making it suitable for illuminating heat-sensitive objects (food, organic materials, paintings, etc.). The patented intelligent driver enables broad compatibility with existing electromagnetic and electronic halogen transformers. MASTER LEDspot LV AR111 delivers huge energy savings and minimizes maintenance cost without any reduction in brightness.

Product data

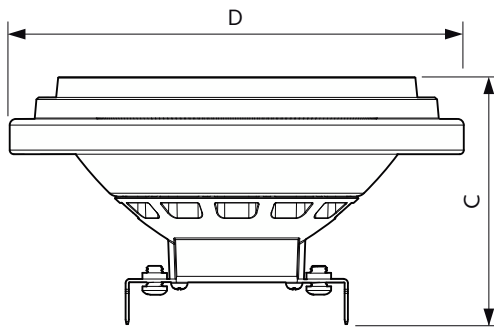
General Information		Luminous Efficacy (rated) (Nom)		67.00 lm/W	
Cap-Base	G53 [G53]	Color Consistency	<4		
Nominal lifetime	25,000 hour(s)	Color rendering index (CRI)	91		
Switching Cycle	50,000	LLMF At End Of Nominal Lifetime (Nom)	70 %		
Lighting Technology	LED	Operating and Electrical			
EU RoHS compliant	Yes	Line Frequency	- Hz		
Light Technical		Input Frequency	- Hz		
Color Code	940 [CCT of 4000K]	Power Consumption	20 W		
Beam Angle (Nom)	24 degree(s)	Lamp Current (Nom)	2,400 mA		
Luminous Flux	1,350 lumen	Wattage Equivalent	100 W		
Luminous Intensity (Nom)	5,000 cd	Starting Time (Nom)	0.5 s		
Color Designation	Cool White (CW)	Warm-up time to 60% light	0.5 s		
Correlated Color Temperature (Nom)	4000 K	Power Factor (Fraction)	0.7		

MASTER LEDspot LV AR111

Voltage (Nom)	ac electronic 12 V
Temperature	
T-Case Maximum (Nom)	80 °C
Controls and Dimming	
Dimmable	Yes
Mechanical and Housing	
Bulb Shape	AR111
Approval and Application	
Suitable For Accent Lighting	Yes

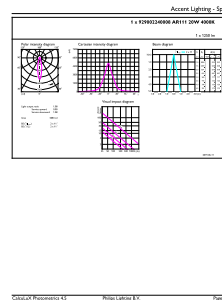
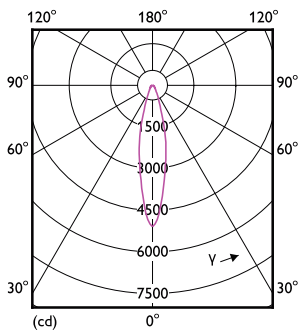
Energy Consumption kWh/1000 h	22 kWh
Product Data	
Full product code	871869969075500
Order product name	MAS LED SpotLV 20-100W 940 AR111 24D
Order code	69075500
Numerator - Quantity Per Pack	1
Numerator - Packs per outer box	6
Material Nr. (12NC)	929002240008
Full product name	MAS LED SpotLV 20-100W 940 AR111 24D
EAN/UPC - Case	8718699690762

Dimensional drawing



Product	D	C
MAS LED SpotLV 20-100W 940 AR111 24D	111 mm	62 mm

Photometric data

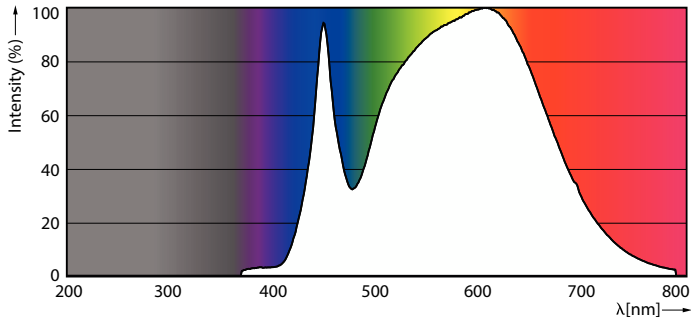


Light Distribution Diagram - MAS LED SpotLV 20-100W 940 AR111 24D

Accent Lighting Spots - MAS LED SpotLV 20-100W 940 AR111 24D

MASTER LEDspot LV AR111

Photometric data



Spectral Power Distribution Colour - MAS LED SpotLV 20-100W 940 AR111 24D

Lifetime



Life Expectancy Diagram - MAS LED SpotLV 20-100W 940 AR111 24D



Lumen Maintenance Diagram - MAS LED SpotLV 20-100W 940 AR111 24D

