



MASTER LEDspot LV AR111

MAS LED ExpertColor 15-75W 930 AR111 24D

Delivering a warm, halogen-like accent beam, MASTER LEDspot LV AR111 is an ideal retrofit solution for spot and general lighting applications in the hospitality and retail industry. It is particularly suitable for general lighting where the light is on all the time, such as creative accent lighting applications in shops, restaurants, hotels, and especially for galleries, exhibitions and museums. The robustly designed MASTER LEDspot LV AR111 offers various beam angles for a clearly defined beam spread. There is no UV or IR in the beam, making it suitable for illuminating heat-sensitive objects (food, organic materials, paintings, etc.). The patented intelligent driver enables broad compatibility with existing electromagnetic and electronic halogen transformers. MASTER LEDspot LV AR111 delivers huge energy savings and minimizes maintenance cost without any reduction in brightness.

Product data

General Information	
Cap base	G53 [G53]
EU RoHS compliant	Yes
Nominal lifetime (nom.)	40000 h
Switching cycle	50,000X
Technical type	15-75W
Light Technical	
Colour Code	930 [CCT of 3,000 K]
Beam Angle (Nom)	24 °
Luminous flux (nom.)	1000 lm
Luminous intensity (nom.)	3500 cd
Colour designation	White (WH)
Correlated Colour Temperature (Nom)	3000 K

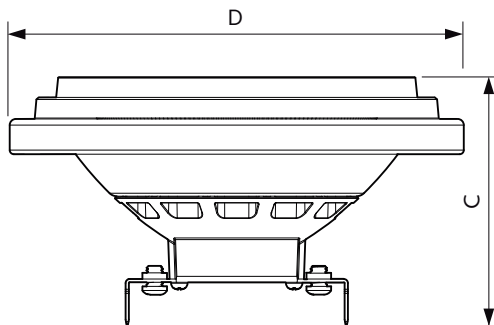
Luminous efficacy (rated) (nom.)	66.00 lm/W
Colour consistency	<4
Colour rendering index (nom.)	97
LLMF at end of nominal lifetime (nom.)	70 %
Operating and Electrical	
Input frequency	- Hz
Power (Rated) (Nom)	15 W
Lamp current (nom.)	1800 mA
Wattage equivalent	75 W
Starting time (nom.)	0.5 s
Warm-up time to 60% light (nom.)	0.5 s
Power factor (nom.)	0.7

MASTER LEDspot LV AR111

Voltage (Nom)	ac electronic 12 V
Temperature	
T-Case maximum (nom.)	74 °C
Controls and Dimming	
Dimmable	Yes
Mechanical and Housing	
Bulb shape	AR111
Approval and Application	
Suitable for accent lighting	Yes

Energy consumption kWh/1,000 hours	17 kWh
Product Data	
Full product code	871869969093900
Order product name	MAS LED ExpertColor 15-75W 930 AR111 24D
EAN/UPC – product	8718699690939
Order code	69093900
SAP numerator – quantity per pack	1
Numerator – packs per outer box	6
SAP material	929002239108
SAP net weight (piece)	0.160 kg

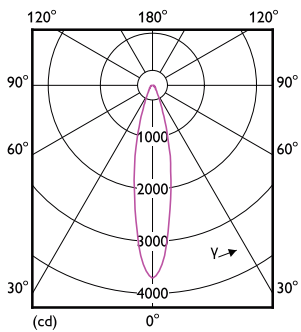
Dimensional drawing



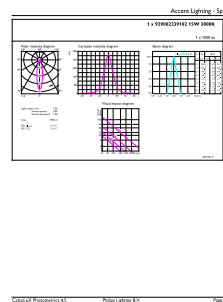
AR111 12V 15-75W 900lm 24D 3000K G53 D

Product	D	C
MAS LED ExpertColor 15-75W 930 AR111 24D	111 mm	62 mm

Photometric data



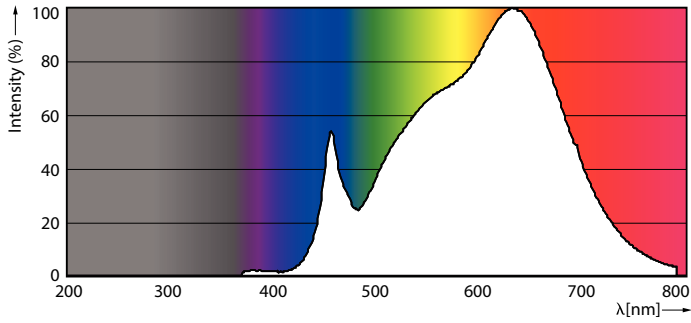
LEDspots 75W G53 AR111 930 24D



LEDspots 75W G53 AR111 930 24D

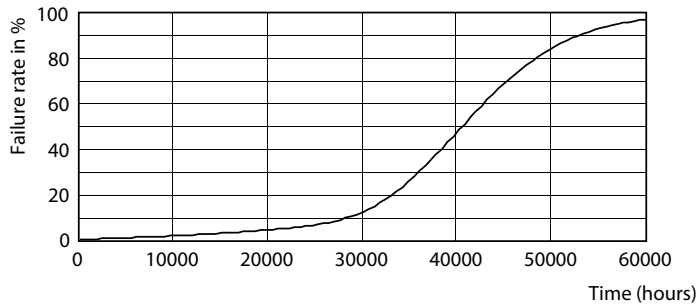
MASTER LEDspot LV AR111

Photometric data



LEDspots 75W G53 AR111 930

Lifetime



LEDspots LED 40K



LEDspots LMP 40K

