



MASTER LEDspot LV AR111

MAS LED ExpertColor 11-50W 927 AR111 40D

Delivering a warm, halogen-like accent beam, MASTER LEDspot LV AR111 is an ideal retrofit solution for spot and general lighting applications in the hospitality and retail industry. It is particularly suitable for general lighting where the light is on all the time, such as creative accent lighting applications in shops, restaurants, hotels, and especially for galleries, exhibitions and museums. The robustly designed MASTER LEDspot LV AR111 offers various beam angles for a clearly defined beam spread. There is no UV or IR in the beam, making it suitable for illuminating heat-sensitive objects (food, organic materials, paintings, etc.). The patented intelligent driver enables broad compatibility with existing electromagnetic and electronic halogen transformers. MASTER LEDspot LV AR111 delivers huge energy savings and minimizes maintenance cost without any reduction in brightness.

Product data

General Information	
Cap-Base	G53 [G53]
Nominal lifetime	40,000 hour(s)
Switching Cycle	50,000
Lighting Technology	LED
EU RoHS compliant	Yes
Light Technical	
Color Code	927 [CCT of 2700K]
Beam Angle (Nom)	40 degree(s)
Luminous Flux	650 lumen
Luminous Intensity (Nom)	1,300 cd
Color Designation	Warm White (WW)
Correlated Color Temperature (Nom)	2700 K

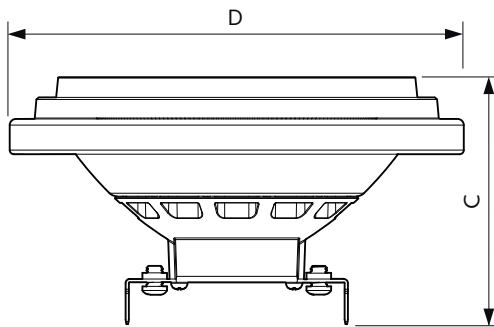
Luminous Efficacy (rated) (Nom)	59.00 lm/W
Color Consistency	<4
Color rendering index (CRI)	97
LLMF At End Of Nominal Lifetime (Nom)	70 %
Operating and Electrical	
Line Frequency	- Hz
Input Frequency	- Hz
Power Consumption	11 W
Lamp Current (Nom)	1,300 mA
Wattage Equivalent	50 W
Starting Time (Nom)	0.5 s
Warm-up time to 60% light	0.5 s
Power Factor (Fraction)	0.7

MASTER LEDspot LV AR111

Voltage (Nom)	ac electronic 12 V
Temperature	
T-Case Maximum (Nom)	70 °C
Controls and Dimming	
Dimmable	Yes
Mechanical and Housing	
Bulb Shape	AR111
Approval and Application	
Suitable For Accent Lighting	Yes

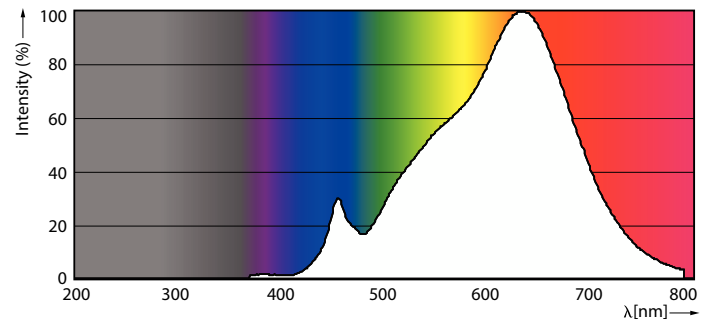
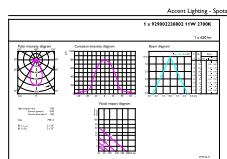
Energy Consumption kWh/1000 h	13 kWh
Product Data	
Full product code	871869969087800
Order product name	MAS LED ExpertColor 11-50W 927 AR111 40D
Order code	69087800
Numerator - Quantity Per Pack	1
Numerator - Packs per outer box	6
Material Nr. (12NC)	929002238808
Full product name	MAS LED ExpertColor 11-50W 927 AR111 40D
EAN/UPC - Case	8718699690885

Dimensional drawing



Product	D	C
MAS LED ExpertColor 11-50W 927 AR111 40D	111 mm	62 mm

Photometric data

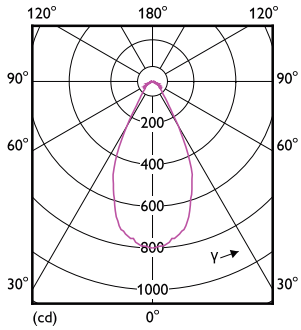


General uniform lighting - MAS LED ExpertColor 11-50W 927 AR111 40D

Spectral Power Distribution Colour - MAS LED ExpertColor 11-50W 927 AR111 40D

MASTER LEDspot LV AR111

Photometric data



Light Distribution Diagram - MAS LED ExpertColor 11-50W 927 AR111 40D

Lifetime



Life Expectancy Diagram - MAS LED ExpertColor 11-50W 927 AR111 40D



Lumen Maintenance Diagram - MAS LED ExpertColor 11-50W 927 AR111 40D

