



CoreLine Recessed

RC136B 28S_34S_40S/830 PSU W60L60 NOC

830 warm white – Power supply unit

Whether for a new building or renovation of an existing space, customers want lighting solutions that provide quality of light and substantial energy and maintenance savings. The new CoreLine Recessed range of LED products can be used to replace functional luminaires in general lighting applications. The process of selecting, installing and maintaining is so easy – it's a simple switch.

Warnings and Safety

- The product is IPX0 and as such is not protected against water ingress, so we strongly recommend that the environment in which the luminaire is to be installed is suitably checked
- If the above advice is not taken and the luminaires are subject to water ingress, Philips/Signify cannot guarantee safe failure and product warranty will become void

Product data

| General Information | | | |
|-------------------------------|-------------------------------|---|--|
| Beam angle of light source | - ° | Glow-wire test | 650/30 [Temperature 650 °C, duration 30 s] |
| Light source colour | 830 warm white | Flammability mark | F [For mounting on normally flammable surfaces] |
| Light source replaceable | No | CE mark | CE mark |
| Number of gear units | 1 unit | ENEC mark | ENEC mark |
| Driver/power unit/transformer | PSU [Power supply unit] | Warranty period | 5 years |
| Driver included | Yes | Constant light output | No |
| Optic type | 100 [Beam angle 100°] | Number of products on MCB (16 A type B) | 35 |
| Luminaire light beam spread | 100° | Photobiological risk | Photobiological risk group 0 @ 200mm to EN62471 |
| Control interface | - | EU RoHS compliant | Yes |
| Connection | CU3 [Connection unit 3-pole] | Unified glare rating CEN | 25 |
| Cable | Cable with connector 3-pole | | |
| Protection class IEC | Safety class I (I) | | |

CoreLine Recessed

Light Technical

| | |
|---------------|-----|
| Saturated Red | <50 |
|---------------|-----|

Operating and Electrical

| | |
|-------------------------------|--------------|
| Input Voltage | 220 to 240 V |
| Input frequency | 50 or 60 Hz |
| Initial CLO power consumption | - W |
| Average CLO power consumption | - W |
| Inrush current | 15.3 A |
| Inrush time | 0.29 ms |
| Power factor (min.) | 0.9 |

Controls and Dimming

| | |
|----------|----|
| Dimmable | No |
|----------|----|

Mechanical and Housing

| | |
|-------------------------------------|--|
| Housing material | Steel |
| Reflector material | Polycarbonate |
| Optic material | Polycarbonate |
| Optical cover/lens material | Polymethyl methacrylate |
| Fixation material | - |
| Overall length | 597 mm |
| Overall width | 597 mm |
| Overall height | 44 mm |
| Colour | White |
| Dimensions (height x width x depth) | 44 x 597 x 597 mm (1.7 x 23.5 x 23.5 in) |

Approval and Application

| | |
|------------------------------|---|
| Ingress protection code | IP20/44 [Finger-protected; wire-protected, splash-proof] |
| Mech. impact protection code | IK03 [0.3 J] |

Initial Performance (IEC Compliant)

| | |
|-------------------------------------|-------------------|
| Initial luminous flux (system flux) | 2800 3400 4000 lm |
|-------------------------------------|-------------------|

| | |
|--------------------------------|----------------------|
| Luminous flux tolerance | +/-10% |
| Initial LED luminaire efficacy | 130 lm/W |
| Init. Corr. Colour Temperature | 3000 K |
| Init. Colour rendering index | >80 |
| Initial chromaticity | (0.43, 0.40) SDCM ≤3 |
| Initial input power | 22 26 31 W |
| Power consumption tolerance | +/-10% |

Over Time Performance (IEC Compliant)

Control gear failure rate at median useful life 5 %

50,000 h

Lumen maintenance at median useful life* L80

50,000 h

Application Conditions

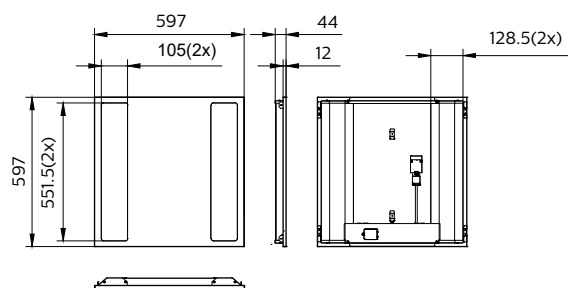
| | |
|------------------------------------|----------------|
| Ambient temperature range | -10 to +40 °C |
| Performance ambient temperature Tq | 25 °C |
| Maximum dimming level | Not applicable |
| Suitable for random switching | Not applicable |

Product Data

| | |
|-----------------------------------|--|
| Full product code | 871951451216000 |
| Order product name | RC136B 28S_34S_40S/830 PSU W60L60 NOC |
| EAN/UPC – product | 8719514512160 |
| Order code | 51216000 |
| SAP numerator – quantity per pack | 1 |
| Numerator – packs per outer box | 1 |
| SAP material | 911401880281 |
| SAP net weight (piece) | 3.600 kg |

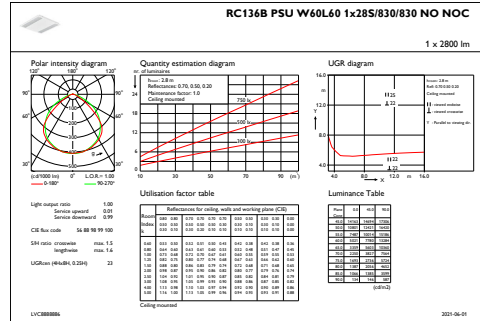
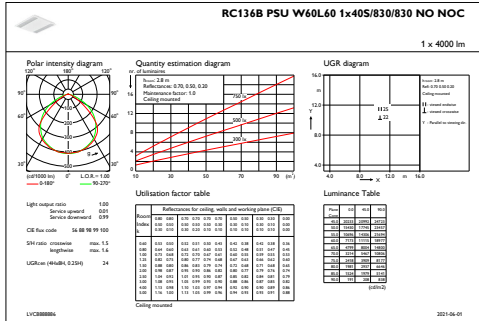


Dimensional drawing



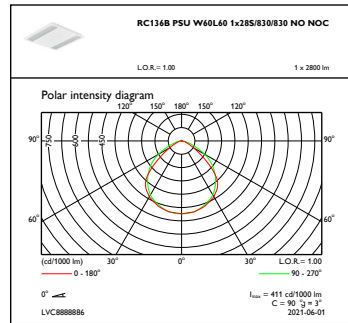
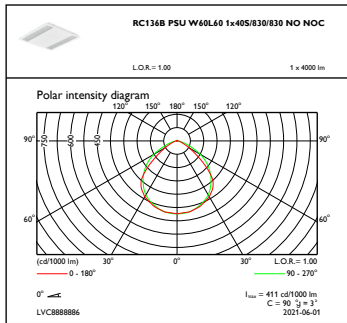
CoreLine Recessed RC134B/RC135B

Photometric data



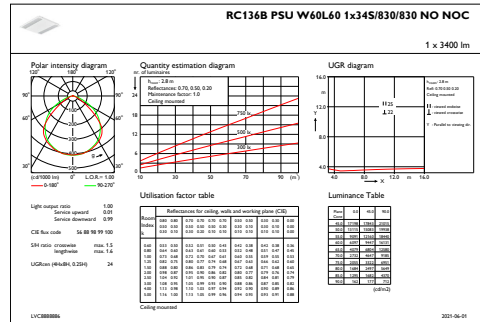
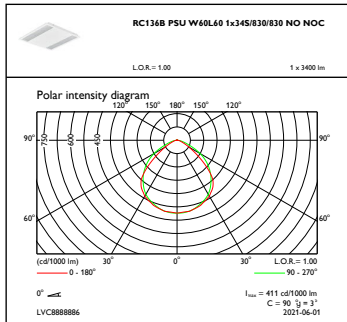
IFGU1_

IFGU1_



OFPC1_

OFPC1_



OFPC1_

IFGU1_

CoreLine Recessed

