

# CoreLine Recessed

## RC136B 31S\_37S\_43S/840 PSD W30L120OCELB3

CORELINE RECESSED GEN3 - 840 neutral white - Power supply unit with DALI interface

Whether for a new building or renovation of an existing space, customers want lighting solutions that provide quality of light and substantial energy and maintenance savings. The new CoreLine Recessed range of LED products can be used to replace functional luminaires in general lighting applications. The process of selecting, installing and maintaining is so easy – it's a simple switch.

### Warnings and Safety

- The product is IPX0 and as such is not protected against water ingress, so we strongly recommend that the environment in which the luminaire is to be installed is suitably checked
- If the above advice is not taken and the luminaires are subject to water ingress, Philips/Signify cannot guarantee safe failure and product warranty will become void

### Product data

General information			
Beam angle of light source	- °	Cable	Cable with connector 5-pole
Light source colour	840 neutral white	Protection class IEC	Safety class II (II)
Light source replaceable	No	Glow-wire test	650/30 [ Temperature 650 °C, duration 30 s]
Number of gear units	1 unit	Flammability mark	F [ For mounting on normally flammable surfaces]
Driver/power unit/transformer	PSD [ Power supply unit with DALI interface]	CE mark	CE mark
Driver included	Yes	ENEC mark	ENEC mark
Optic type	Beam angle 84°	Warranty period	5 years
Luminaire light beam spread	84°	Constant light output	No
Control interface	DALI	Number of products on MCB (16 A type B)	30
Connection	CU7 [ Connection unit 7-pole]	Photobiological risk	Photobiological risk group 0 @ 200mm to EN62471

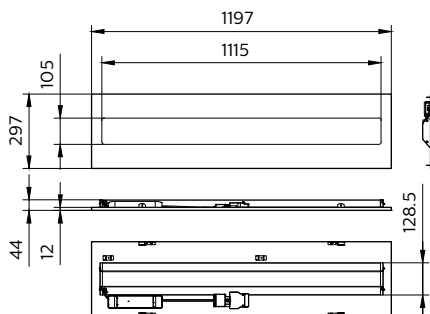
## CoreLine Recessed

EU RoHS compliant	Yes
Product family code	RC136B [ CORELINE RECESSED GEN3]
Unified glare rating CEN	19
<b>Light technical</b>	
Saturated Red	<50
Flickering	1
Stroboscopic effect	0.4
<b>Operating and electrical</b>	
Input Voltage	220-240 V
Input frequency	50 or 60 Hz
Initial CLO power consumption	- W
Average CLO power consumption	- W
Inrush current	15.6 A
Inrush time	0.23 ms
Power factor (min.)	0.9
<b>Controls and dimming</b>	
Dimmable	Yes
<b>Mechanical and housing</b>	
Housing material	Steel
Reflector material	Polycarbonate
Optic material	Polycarbonate
Optical cover/lens material	Polymethyl methacrylate
Fixation material	-
Overall length	1197 mm
Overall width	297 mm
Overall height	44 mm
Colour	White
Dimensions (height x width x depth)	44 x 297 x 1197 mm (1.7 x 11.7 x 47.1 in)
<b>Approval and application</b>	
Ingress protection code	IP20/44 [ Finger-protected; wire-protected, splash-proof]
Mech. impact protection code	IK03 [ 0.3 J]

Sustainability rating	-
<b>Initial performance (IEC compliant)</b>	
Initial luminous flux (system flux)	4300 lm
Luminous flux tolerance	+/-10%
Initial LED luminaire efficacy	126 lm/W
Init. Corr. Colour Temperature	4000 K
Init. Colour rendering index	>80
Initial chromaticity	(0.38, 0.38) SDCM ≤3
Initial input power	34 W
Power consumption tolerance	+/-10%
<b>Over time performance (IEC compliant)</b>	
Control gear failure rate at median useful life 50,000 h	5 %
Lumen maintenance at median useful life* 50,000 h	L80
<b>Application conditions</b>	
Ambient temperature range	0 to +25 °C
Performance ambient temperature Tq	25 °C
Maximum dimming level	3%
Suitable for random switching	Yes
<b>Product data</b>	
Full product code	871869997552400
Order product name	RC136B 31S_37S_43S/840 PSD W30L120OCELB3
EAN/UPC – product	8718699975524
Order code	97552400
SAP numerator – quantity per pack	1
Numerator – packs per outer box	1
SAP material	910505101245
Net Weight (Piece)	3.500 kg

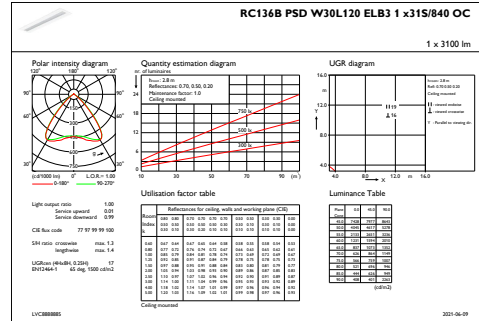
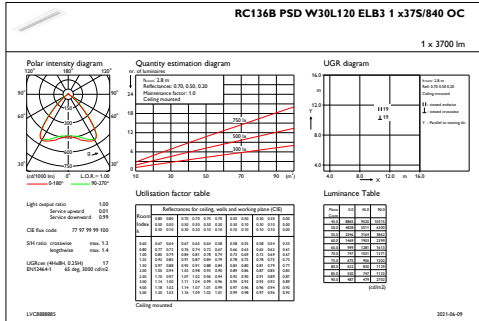


## Dimensional drawing



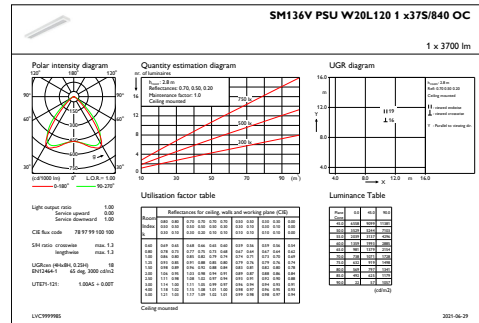
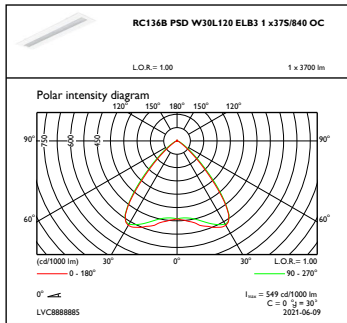
RC136B 31S\_37S\_43S/840 PSD W30L120OCELB3

## Photometric data



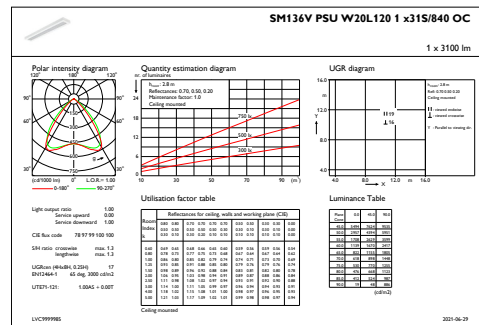
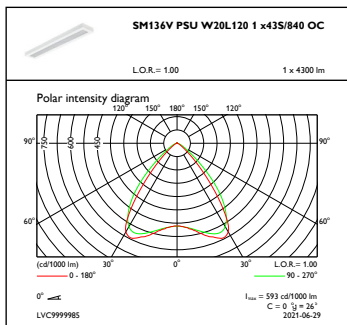
IFGU1\_RC136BPSDW30L120ELB3x375840OC

IFGU1\_RC136BPSDW30L120ELB3x315840OC



OFFPC1\_RC136BPSDW30L120ELB3x375840OC

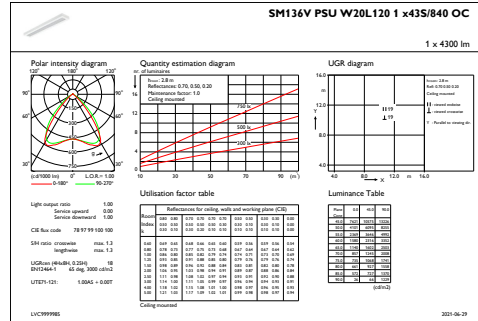
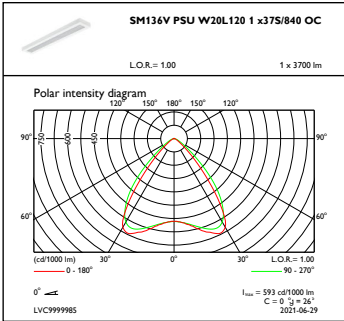
IFGU1\_SM136VPSUW20L120x375840OC



OFFPC1\_SM136VPSUW20L120x435840OC

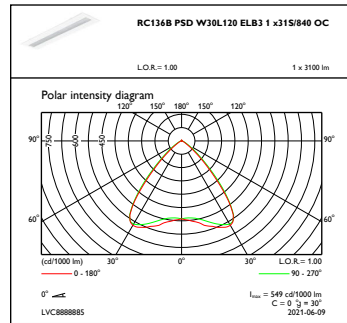
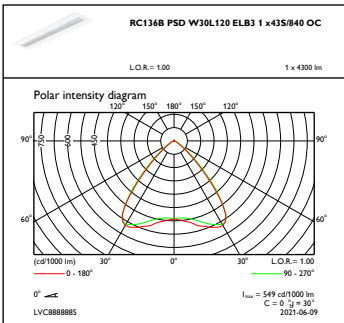
IFGU1\_SM136VPSUW20L120x315840OC

## Photometric data



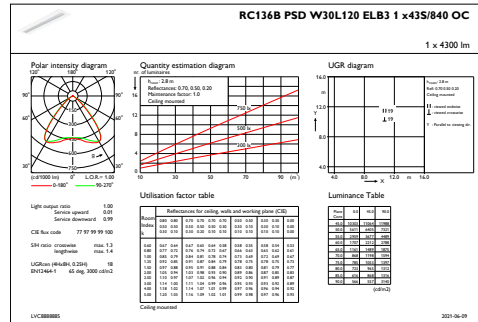
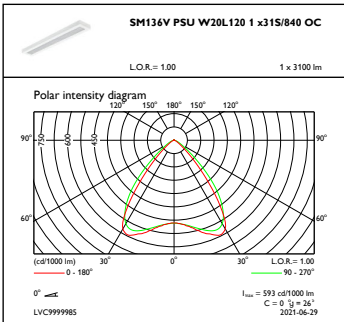
OFPC1\_SM136VPSUW20L1201x375840OC

IFGU1\_SM136VPSUW20L1201x435840OC



OFPC1\_RC136BPSDW30L120ELB31x435840OC

OFPC1\_RC136BPSDW30L120ELB31x315840OC



OFPC1\_SM136VPSUW20L1201x315840OC

IFGU1\_RC136BPSDW30L120ELB31x435840OC

## CoreLine Recessed

