



TrueFashion

ST715T LED27S/PW930 PSD FPO36 WH

TrueFashion2 Compact - PremiumWhite with CRI ≥ 90 , and colour temperature 3,000 K - 3000 K - Power supply unit with DALI interface - Beam angle 36° - White

TrueFashion is a dedicated LED spot family answering the specific needs of Fashion Retailers. These miniaturised spots with clean and fine detailing offer contemporary design and blend seamlessly into your shop interior for a tailor-made look. This spot family provides the best quality of light by using innovative Philips Fashion Proof Optics (FPO). These FPO lenses offer higher intensity beams without spill light to optimise the contrast ratio and will reduce glare within the shop. In addition, the specially designed Philips fashion LED flavours enhance colours and visual qualities. In this way TrueFashion ensures a superior light experience. This dedicated fashion range supports your global expansion plans by being prepared for international certifications. In addition, we offer dedicated logistics and a local presence globally. Fashion is evolving rapidly towards a new balance between online and offline shopping. TrueFashion creates an optimal shopper experience to attract and engage the shopper while bringing the connected future of lighting in the shop by being ready to be connected to Interact Retail Display and Interact Retail EasyAim.

Product data

General Information			
Beam angle of light source	120°	Driver included	Yes
Light source colour	PremiumWhite with CRI ≥ 90 , and colour temperature 3,000 K	Optic type	36 [Beam angle 36°]
Light source replaceable	No	Luminaire light beam spread	36°
Number of gear units	1 unit	Control interface	DALI
Driver/power unit/transformer	PSD [Power supply unit with DALI interface]	Connection	No [-]
		Cable	-
		Protection class IEC	Safety class II (II)

Glow-wire test	650/30 [Temperature 650 °C, duration 30 s]
Flammability mark	NO [-]
CE mark	CE mark
ENEC mark	ENEC mark
Warranty period	5 years
Constant light output	No
Number of products on MCB (16 A type B)	34
EU RoHS compliant	Yes
Product family code	ST715T [TrueFashion2 Compact]
Unified glare rating CEN	Not applicable

Operating and Electrical

Input Voltage	220 to 240 V
Input frequency	50 to 60 Hz
Initial CLO power consumption	- W
Average CLO power consumption	- W W W
Inrush current	18 A
Inrush time	0.25 ms
Power factor (min.)	0.9

Controls and Dimming

Dimmable	Yes
----------	-----

Mechanical and Housing

Housing material	Aluminum
Reflector material	-
Optic material	Polycarbonate
Optical cover/lens material	Polymethyl methacrylate
Fixation material	-
Optical cover/lens finish	Textured
Overall length	135 mm
Overall width	80 mm
Overall height	211 mm
Overall diameter	80 mm
Colour	White
Dimensions (height x width x depth)	211 x 80 x 135 mm (8.3 x 3.1 x 5.3 in)

Approval and Application

Ingress protection code	IP20 [Finger-protected]
Mech. impact protection code	IK02 [0.2 J standard]

Initial Performance (IEC Compliant)

Initial luminous flux (system flux)	2700 lm
Luminous flux tolerance	+/-10%
Initial LED luminaire efficacy	96 lm/W
Init. Corr. Colour Temperature	3000 K
Init. Colour rendering index	90
Initial chromaticity	(0.422, 0.386)
Initial input power	28.3 W
Power consumption tolerance	+/-10%

Over Time Performance (IEC Compliant)

Control gear failure rate at median useful life 50,000 h	5 %
Lumen maintenance at median useful life* 50,000 h	L80

Application Conditions

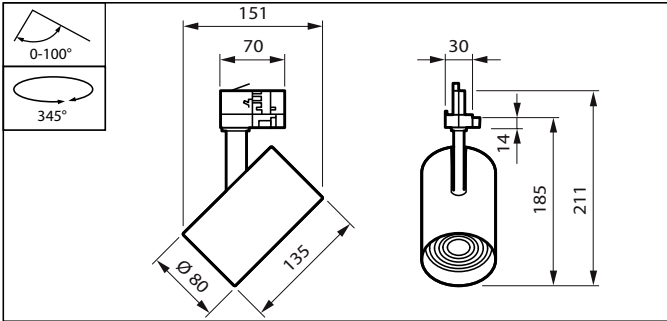
Ambient temperature range	+10 to +35 °C
Performance ambient temperature Tq	25 °C
Suitable for random switching	Not applicable

Product Data

Full product code	871869996200500
Order product name	ST715T LED27S/PW930 PSD FPO36 WH
EAN/UPC – product	8718699962005
Order code	96200500
SAP numerator – quantity per pack	1
Numerator – packs per outer box	1
SAP material	910500465991
SAP net weight (piece)	0.620 kg

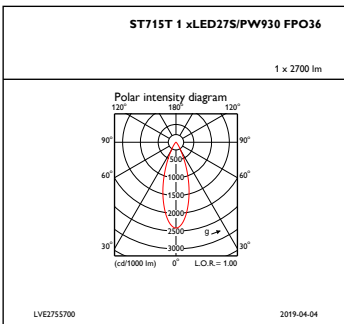


Dimensional drawing

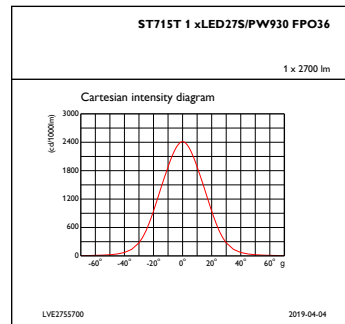


TrueFashion ST700T-ST721T

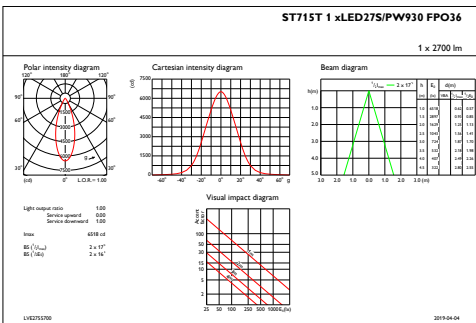
Photometric data



IFPC1_ST715T1xLED27SPW930FPO36



IFCC1_ST715T1xLED27SPW930FPO36



IFAS1_ST715T1xLED27SPW930FPO36

