



TrueFashion

ST715T LED27S/PW930 PSU FPO30 WH

TrueFashion2 Compact - PremiumWhite with CRI ≥ 90 , and colour temperature 3,000 K - 3000 K - Power supply unit - Beam angle 30° - White

TrueFashion is a dedicated LED spot family answering the specific needs of Fashion Retailers. These miniaturised spots with clean and fine detailing offer contemporary design and blend seamlessly into your shop interior for a tailor-made look. This spot family provides the best quality of light by using innovative Philips Fashion Proof Optics (FPO). These FPO lenses offer higher intensity beams without spill light to optimise the contrast ratio and will reduce glare within the shop. In addition, the specially designed Philips fashion LED flavours enhance colours and visual qualities. In this way TrueFashion ensures a superior light experience. This dedicated fashion range supports your global expansion plans by being prepared for international certifications. In addition, we offer dedicated logistics and a local presence globally. Fashion is evolving rapidly towards a new balance between online and offline shopping. TrueFashion creates an optimal shopper experience to attract and engage the shopper while bringing the connected future of lighting in the shop by being ready to be connected to Interact Retail Display and Interact Retail EasyAim.

Product data

| General Information | |
|-------------------------------|--|
| Beam angle of light source | 120 ° |
| Light source colour | PremiumWhite with CRI ≥ 90 , and colour temperature 3,000 K |
| Light source replaceable | No |
| Number of gear units | 1 unit |
| Driver/power unit/transformer | PSU [Power supply unit] |
| Driver included | Yes |
| Optic type | 30 [Beam angle 30°] |
| Luminaire light beam spread | 30° |
| Control interface | - |
| Connection | Track |
| Cable | - |
| Protection class IEC | Safety class II (II) |
| Glow-wire test | 650/30 [Temperature 650 °C, duration 30 s] |

| | |
|---|--------------------------------|
| Flammability mark | NO [-] |
| CE mark | CE mark |
| ENEC mark | ENEC mark |
| Warranty period | 5 years |
| Constant light output | No |
| Number of products on MCB (16 A type B) | 34 |
| EU RoHS compliant | Yes |
| Product family code | ST715T [TrueFashion2 Compact] |
| Unified glare rating CEN | Not applicable |

Operating and Electrical

| | |
|-------------------------------|--------------|
| Input Voltage | 220 to 240 V |
| Input frequency | 50 to 60 Hz |
| Initial CLO power consumption | - W |
| Average CLO power consumption | - W |
| Inrush current | 18 A |
| Inrush time | 0.25 ms |
| Power factor (min.) | 0.9 |

Controls and Dimming

| | |
|----------|----|
| Dimmable | No |
|----------|----|

Mechanical and Housing

| | |
|-------------------------------------|--|
| Housing material | Aluminum |
| Reflector material | - |
| Optic material | Polycarbonate |
| Optical cover/lens material | Polymethyl methacrylate |
| Fixation material | - |
| Optical cover/lens finish | Textured |
| Overall length | 135 mm |
| Overall width | 80 mm |
| Overall height | 211 mm |
| Overall diameter | 80 mm |
| Colour | White |
| Dimensions (height x width x depth) | 211 x 80 x 135 mm (8.3 x 3.1 x 5.3 in) |

Approval and Application

| | |
|-------------------------|--------------------------|
| Ingress protection code | IP20 [Finger-protected] |
|-------------------------|--------------------------|

| | |
|------------------------------|------------------------|
| Mech. impact protection code | IK02 [0.2 J standard] |
|------------------------------|------------------------|

Initial Performance (IEC Compliant)

| | |
|-------------------------------------|----------------|
| Initial luminous flux (system flux) | 2701 lm |
| Luminous flux tolerance | +/-10% |
| Initial LED luminaire efficacy | 92 lm/W |
| Init. Corr. Colour Temperature | 3000 K |
| Init. Colour rendering index | 90 |
| Initial chromaticity | (0.422, 0.386) |
| Initial input power | 29.5 W |
| Power consumption tolerance | +/-10% |

Over Time Performance (IEC Compliant)

| | |
|--|-----|
| Control gear failure rate at median useful life 50,000 h | 5 % |
| Lumen maintenance at median useful life* 50,000 h | L80 |

Application Conditions

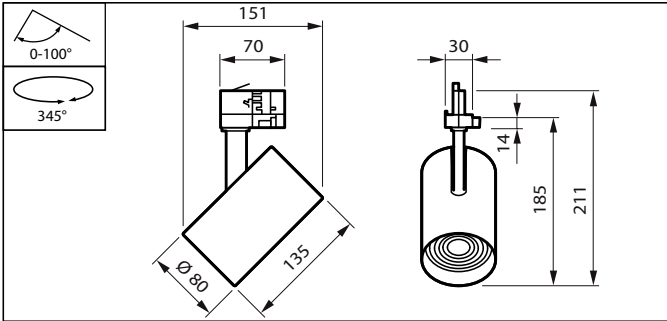
| | |
|------------------------------------|----------------|
| Ambient temperature range | +10 to +35 °C |
| Performance ambient temperature Tq | 25 °C |
| Suitable for random switching | Not applicable |

Product Data

| | |
|-----------------------------------|----------------------------------|
| Full product code | 871869996085800 |
| Order product name | ST715T LED27S/PW930 PSU FPO30 WH |
| EAN/UPC – product | 8718699960858 |
| Order code | 96085800 |
| SAP numerator – quantity per pack | 1 |
| Numerator – packs per outer box | 1 |
| SAP material | 910500465888 |
| SAP net weight (piece) | 0.620 kg |

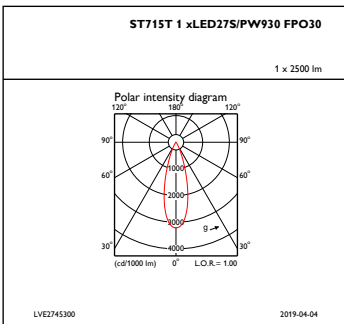


Dimensional drawing

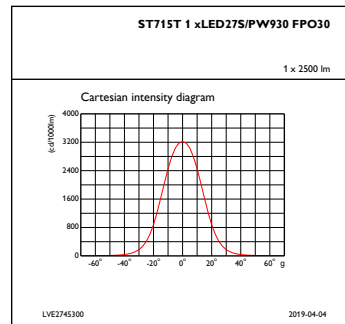


TrueFashion ST700T-ST721T

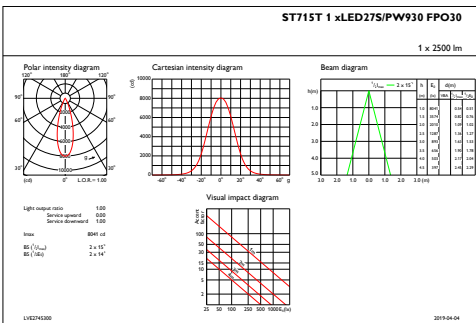
Photometric data



IFPC1_ST715T1xLED27SPW930FPO30



IFCC1_ST715T1xLED27SPW930FPO30



IFAS1_ST715T1xLED27SPW930FPO30

