



CoreLine Projector - For every project where light really matters

CoreLine Projector gen2

The well-known CoreLine Projector with its latest generation has undergone important design and performance improvement, raising the bar even higher and setting a new standard for track projectors used in retail and hospitality applications.

Benefits

- Reduced operating costs thanks to energy savings and longer lifetime
- Great accent lighting effect thanks to strong light output delivered in a high quality manner with lens optics
- Clean, simple finish and compact design ensure CoreLine Projector blends into all types of interiors in an unobtrusive way
- Robust design and long luminaire lifetime for a lighting installation that you can rely on
- Track mounted projector compatible with numerous 3 circuit tracks comes with tool-less installation and aiming possibility allowing a hassle-free installation
- Track mounted projectors provide a flexible lighting installation that can accommodate changes in the room or furniture layout

CoreLine Projector gen2

Features

- Unobtrusive and compact design in White (RAL9003) or Black (RAL9004) finish
- 25 degree (accent flood) or 38 degree (accent wide flood) beam spread choices
- Installed light output of 3000 lumens
- Correlated Color Temperature of 3000K or 4000K
- Energy efficiency of up to 110 lm/w
- Color Rendering Index of >90
- Onboard Driver integrated in the spot head instead of a track driver, allowing installation of spots with minimal gap in between
- Small track adaptor with phase selector (3 phases) that fit to numerous 3 circuit track types
- Tool free mounting and aiming with 0-90 degrees tilt and 0-355 degrees pan bandwidth providing ease of installation
- Robust and high quality construction with metal housing and hinge ensures a lighting installation that you can rely on
- 50k hours installation life time (L70B50)
- CE and ENEC certified
- UKCA marking included for Great Britain

Application

- Small/local Food and Fashion stores
- Small/local hospitality areas
- General Indoor where accent lighting is needed
- Shops
- Restaurants
- Atriums
- Lobbies and Halls
- Foyers
- Corridors
- Hotels

Warnings and Safety

- The luminaire should be mounted outside of arm's reach
- The luminaire should be installed by a qualified electrician and wired in accordance with the latest IEE electrical regulations or the national requirements

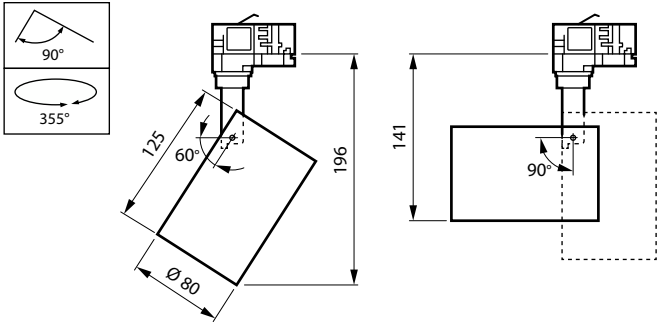
Versions



CoreLine Projector gen2 Standard
2 Black

CoreLine Projector gen2

Dimensional drawing



Product details



CoreLine Projector gen2 Detail
Photo 1 White



CoreLine Projector gen2 Detail
Photo 2 Black



CoreLine Projector gen2 Detail
Photo 1 Black



CoreLine Projector gen2 Detail
Photo 2 White

CoreLine Projector gen2

General Information

Driver included	Yes
Light source replaceable	No
Number of gear units	1 unit

Light Technical

Flickering value (PstLM)	1
Stroboscopic effect value (SVM)	1.6

Operating and Electrical

Input Voltage	220 to 240 V
---------------	--------------

Temperature

Ambient temperature range	-20 to +40 °C
---------------------------	---------------

Controls and Dimming

Dimmable	No
----------	----

Approval and Application

CE mark	Yes
Protection class IEC	Safety class I
ENEC mark	ENEC mark
Flammability mark	-
Glow-wire test	Temperature 650 °C, duration 30 s
Mech. impact protection code	IK03
Ingress protection code	IP20

Initial Performance (IEC Compliant)

Luminous flux tolerance	+/-10%
-------------------------	--------

Application Conditions

Maximum dim level	Not applicable
Suitable for random switching	No

Light Technical

Order Code	Full Product Name	Beam angle of light source	Optic type
52857499	ST151T LED30S/930 MB WH	25 degree(s)	Medium beam
52858199	ST151T LED30S/940 MB WH	25 degree(s)	Wide beam
52861199	ST151T LED30S/930 WB WH	38 degree(s)	Wide beam
52862899	ST151T LED30S/940 WB WH	38 degree(s)	Wide beam
52855099	ST151T LED30S/930 MB BK	25 degree(s)	Medium beam
52856799	ST151T LED30S/940 MB BK	25 degree(s)	Medium beam
52859899	ST151T LED30S/930 WB BK	38 degree(s)	Wide beam
52860499	ST151T LED30S/940 WB BK	38 degree(s)	Wide beam

Initial Performance (IEC Compliant)

Order Code	Full Product Name	Initial chromaticity
52857499	ST151T LED30S/930 MB WH	(0.4355, 0.4045) SDCM <4
52858199	ST151T LED30S/940 MB WH	(0.3837, 0.3828) SDCM <4
52861199	ST151T LED30S/930 WB WH	(0.4355, 0.4045) SDCM <4
52862899	ST151T LED30S/940 WB WH	(0.3837, 0.3828) SDCM <4

Order Code	Full Product Name	Initial chromaticity
52855099	ST151T LED30S/930 MB BK	(0.4355, 0.4045) SDCM <4
52856799	ST151T LED30S/940 MB BK	(0.3837, 0.3828) SDCM <4
52859899	ST151T LED30S/930 WB BK	(0.4355, 0.4045) SDCM <4
52860499	ST151T LED30S/940 WB BK	(0.3837, 0.3828) SDCM <4

CoreLine Projector gen2

