



Affordable LED replacements for compact fluorescent 4-pin & 2-pin lamps

PL-C/T

Philips PLED 4-pin & 2-pin lamps are an affordable LED solution to replace compact fluorescent lamps. The product provides a natural lighting effect for use in many lighting applications, and provides instant energy savings, making them an environmentally-friendly solution. Available as replacements for 13W, 26W and 32W compact fluorescent lamps.

Benefits

- Reduced lighting costs
- Excellent lighting uniformity and lumen maintenance
- Unmatched compatibility with existing ballasts

Features

- Excellent energy efficiency
- Horizontal lamps rotate to ensure the best possible lighting effect
- Easy installation. Plug-and-play replacement of existing CFL-ni lamps
- Conventional form factor fits into existing luminaires

Application

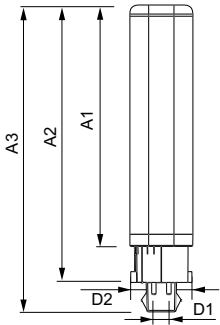
- Retail and hospitality
- Residential
- Healthcare

PL-C/T

Versions



Dimensional drawing



Product	D1	D2	A1	A2	A3
8.5PL-C/T/COR/ 26H-840/IF9/P/4P/DIM 10/1	24.3 mm	28.4 mm	128.3 mm	147.5 mm	163.1 mm
12PL-C/T/COR/32H-840/ IF14/P/4P/DIM 10/1	24.3 mm	28.4 mm	128.8 mm	148 mm	163.6 mm

Approval and application

Energy Consumption kWh/1000 h - kWh

Controls and dimming

Dimmable Yes

Operating and electrical

Input Frequency 20000-100000 Hz

Starting Time (Nom) 0.5 s

General information

Cap-Base G24Q

Nominal Lifetime (Nom) 50000 h

Switching Cycle 50000

Light technical

Beam Angle (Nom) 120 °

Colour Code 841

Correlated Colour Temperature (Nom) 4000 K

Colour Rendering Index (Nom) 82

Llmf At End Of Nominal Lifetime (Nom) 70 %

Mechanical and housing

Bulb Finish Frosted

Bulb Shape Tube, single-ended

Temperature

T-Ambient (Max) 45 °C

T-Ambient (Min) -20 °C

T-Storage (Max) 65 °C

T-Storage (Min) -40 °C

Operating and electrical

Order Code	Full Product Name	Voltage (Nom)	Wattage Equivalent	Power (Nom)
		120 V	26 W	8.5 W
		25-55 V	32 W	12 W

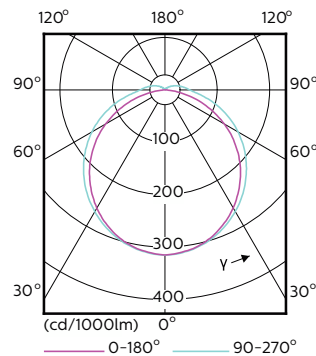
Light technical

Order Code	Full Product Name	Luminous Flux (Nom)	Luminous Flux (Rated) (Nom)
		950 lm	950 lm

Order Code	Full Product Name	Luminous Flux (Nom)	Luminous Flux (Rated) (Nom)
		1450 lm	1450 lm

Temperature

Order Code	Full Product Name	T-Case Maximum (Nom)
		60 °C
		25 °C



PL-C/T

