

PHILIPS

dynalite


DDRC810DT-GL

Relay Controller



Installation Instructions

Instructions d'installation
 Installationsanweisungen
 Instrucciones de instalación
 Istruzioni per l'installazione
 Installatie-instructies
 インストール手順
 安装指示
 إرشادات التركيب

 **Devices must be installed in an approved enclosure by a qualified electrician in accordance with all national and local electrical and construction codes and regulations.**

Les appareils doivent être installés dans un lieu jugé apte, par un électricien qualifié et conformément aux règles et normes locales et nationales en matière d'électricité et de construction.

Die Geräte müssen von einem geprüften Elektriker entsprechend allen nationalen und lokalen Elektro- und Bauvorschriften in einem zugelassenen Gehäuse installiert werden.

Los dispositivos se deben instalar en un recinto aprobado por un electricista cualificado de acuerdo a todos los reglamentos eléctricos y de construcción locales y nacionales pertinentes

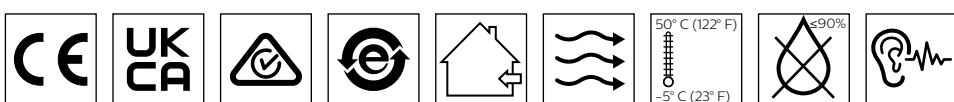
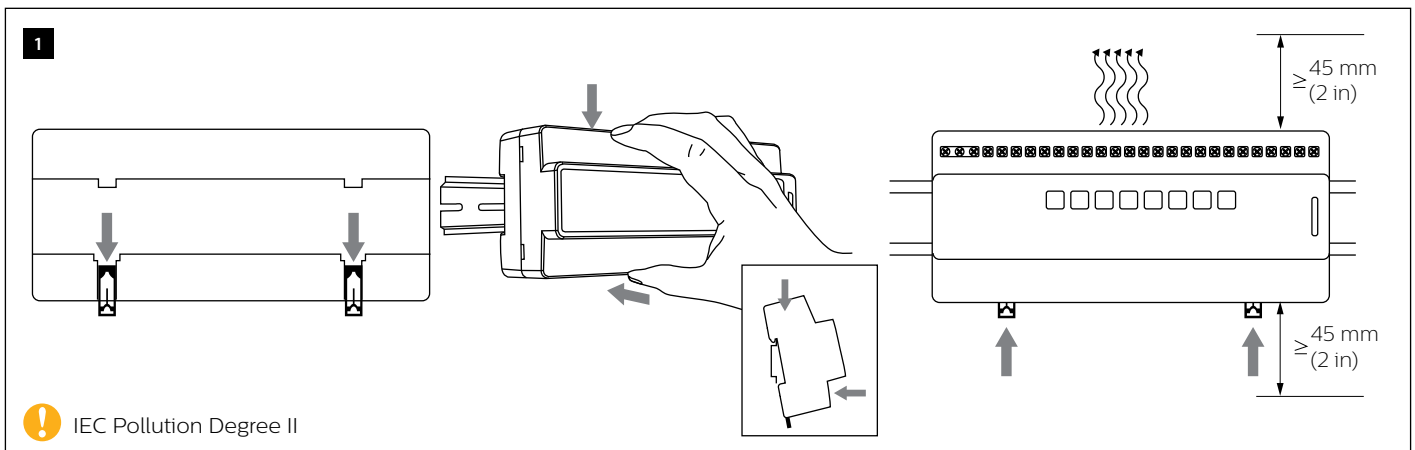
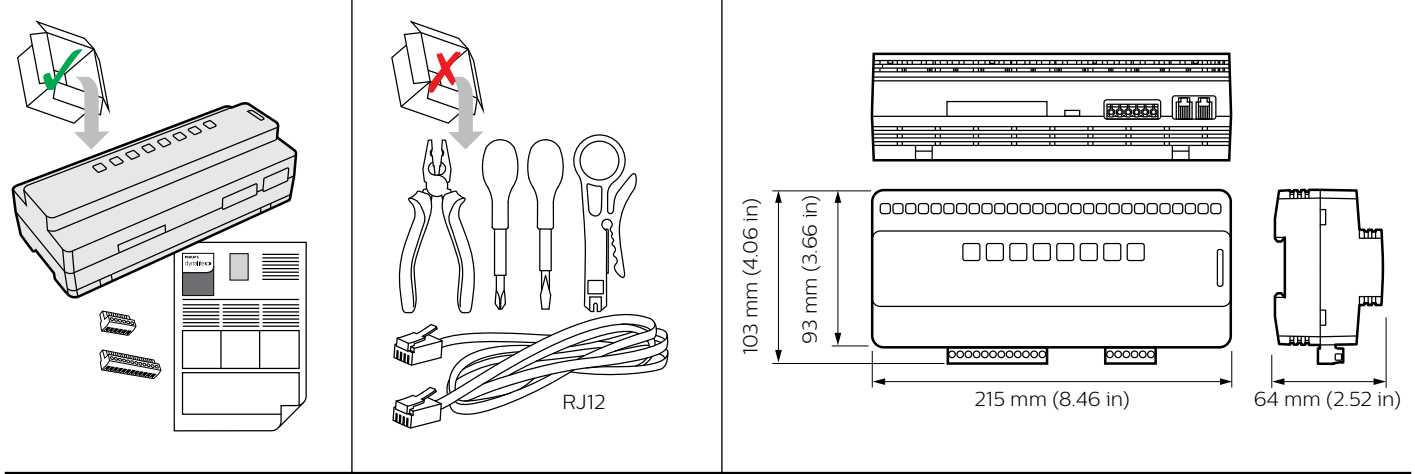
I dispositivi devono essere installati da un elettricista qualificato in un luogo approvato, in conformità a tutti gli standard e le norme nazionali e locali vigenti in materia di impianti elettrici e costruzioni edilizie.

Apparaten moeten door een erkende elektricien worden geïnstalleerd in een goedgekeurde behuizing in overeenstemming met alle nationale en lokale elektriciteits- en bouwvoorschriften en wetgeving.

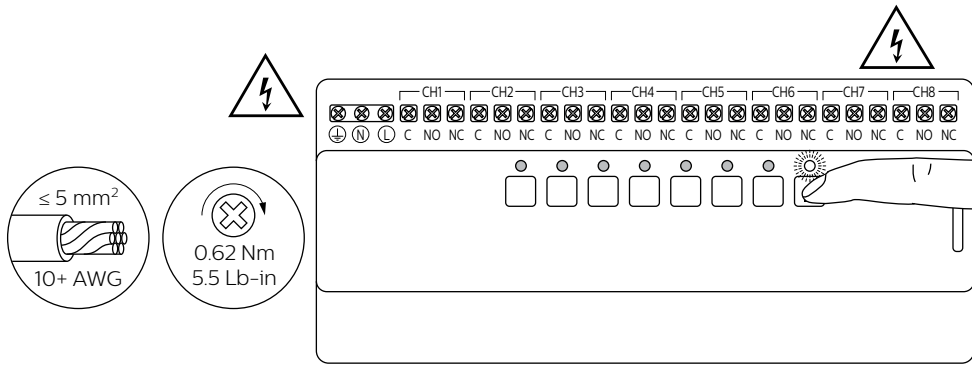
デバイスを取り付ける際は、資格のある電気技師に依頼し、電気と建設に関する国および地域のすべての法令に従って、認可されている筐体内に取り付けてください。

根据国家/地区及当地的电气与建筑规范和法规，该设备必须由有资质的电工安装在经批准的外罩内。

يلزم تركيب الأجهزة داخل حاوية معتمدة، من قبل كهربائي مؤهل وفقاً لجميع قوانين ولوائح الكهرباء والإنشاءات الوطنية والمحلية



2



Output Ratings/Channel (CH)

Load Type	CH1-CH8 N/O	CH1-CH8 N/C
General Use	10 A, 240 V ~ 5 A, 24 V ===	5 A, 240 V ~ 5 A, 24 V ===
Incandescent	5 A, 240 V ~	X
Electronic Ballast	1 A, 120 V ~ 0.5 A, 240 V ~	X
Motor	9.8 FLA (1/2 HP), 120 V ~ 8 FLA (1 HP), 240 V ~	X
TV Rating	TV-5, 120 V ~	X
Inrush Current	100 A	X

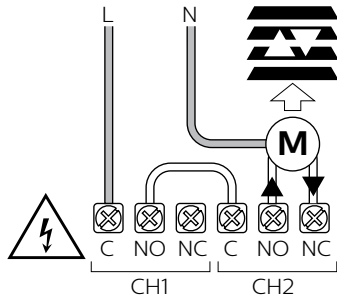
Output Ratings/Group

CH-CH ≤ 400 V ~
 DDR810DT-GL ≤ 40 A

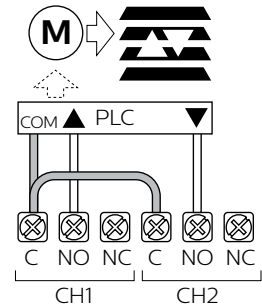
3 A

Output Ratings/Group

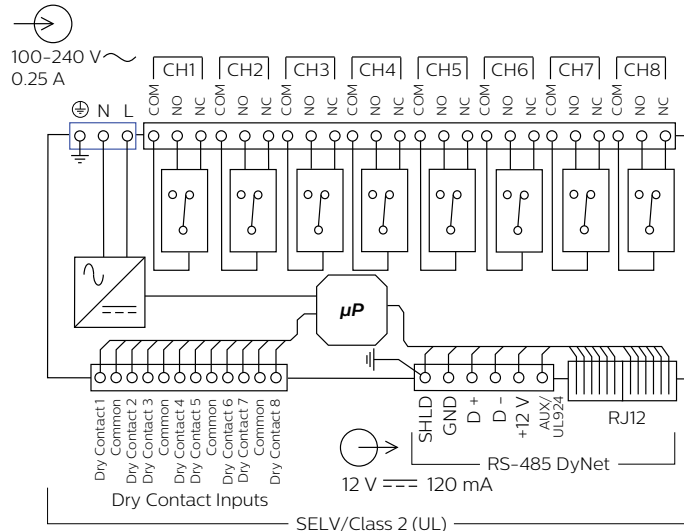
CH1-CH2, CH3-CH4, CH5-CH6, CH7-CH8 ≤ 9.8 FLA (1/2 HP), 120 V ~
 CH1-CH2, CH3-CH4, CH5-CH6, CH7-CH8 ≤ 8 FLA (1 HP), 240 V ~
 DDR810DT-GL ≤ 40 A



3 B



4

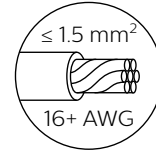
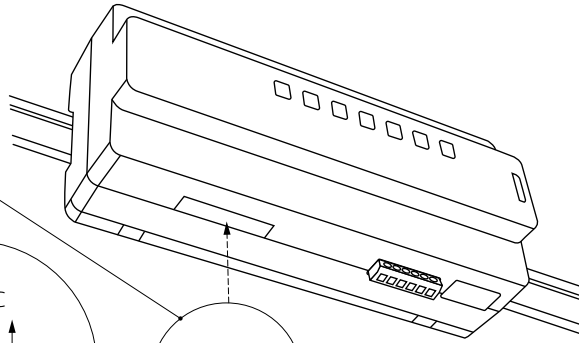
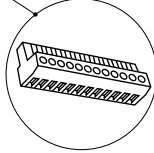
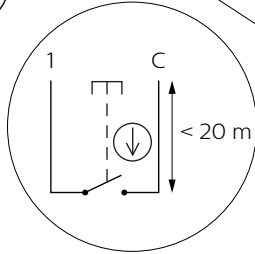
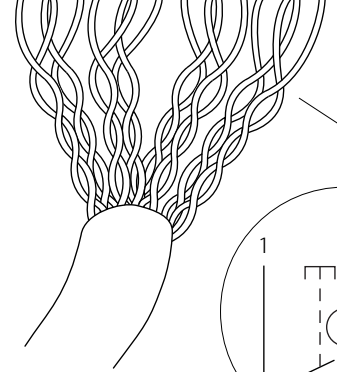


! IEC Overvoltage Category III

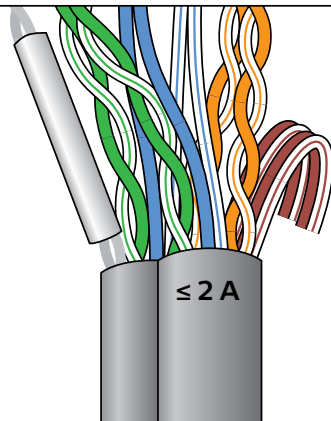
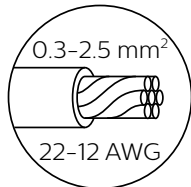
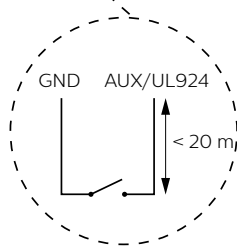
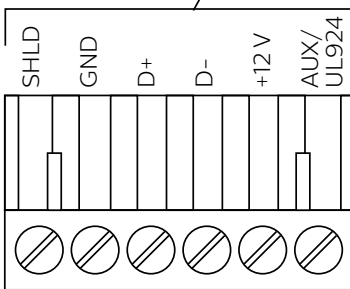
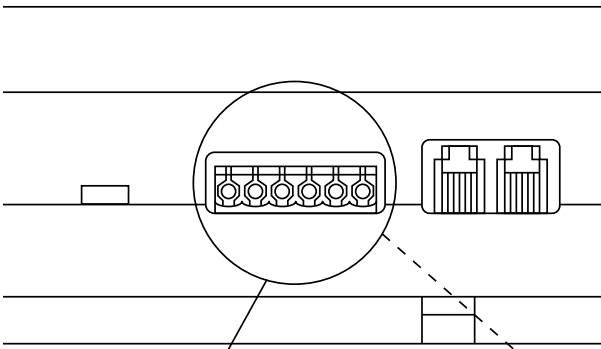
SELV/Class 2 (UL)

5

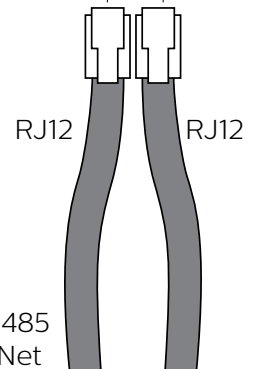
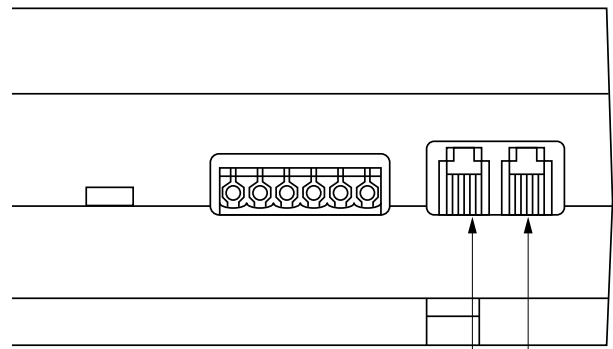
1 C 2 3 C 4 5 C 6 7 C 8



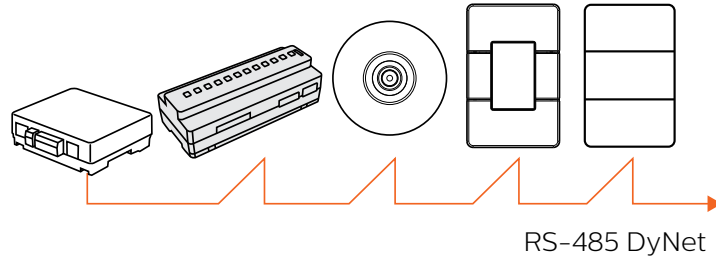
6 A



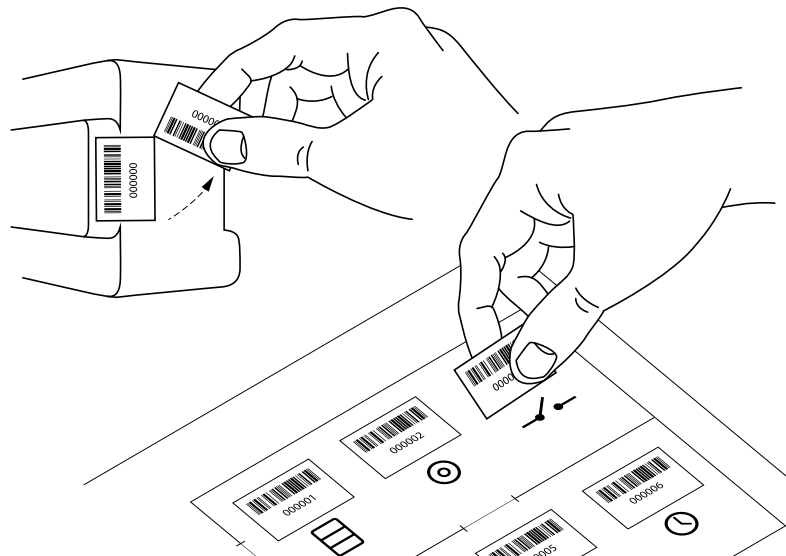
6 B



7



8



Installation of a home and building automation and control system shall comply with HD 60364-4-41. The temperature limits and current-carrying capacities for the communication wires specified in HD 384.5.523 shall not be exceeded.

© 2021 Signify Holding. All rights reserved. Specifications are subject to change without notice. No representation or warranty as to the accuracy or completeness of the information included herein is given and any liability for any action in reliance thereon is disclaimed. Philips and the Philips Shield Emblem are registered trademarks of Koninklijke Philips N.V. All other trademarks are owned by Signify Holding or their respective owners.



www.lighting.philips.com/dynalite

AZZ 378 1021 R18