



# MASTER LEDspot LV

## MASTER LED SPOT VLE D 7-50W MR16 840 60D

Delivering a warm, halogen-like accent beam, MASTER LEDspot LV is an ideal retrofit solution for spot and general lighting applications in the hospitality industry. It is particularly suited to public areas such as receptions, lobbies, corridors, stairwells and washrooms, where the light is on all the time. The robustly designed MASTER LEDspot offers a choice of beam angles for a clearly defined beam spread. There is no UV or IR in the beam, making it suitable for illuminating heat-sensitive objects (food, organic materials, paintings, etc.). The patented intelligent driver enables broad compatibility with existing electromagnetic and electronic halogen transformers. The dimmable versions drive further efficiencies, while helping to create the desired atmosphere.

### Warnings and Safety

- Operating temperature range is between -20° C and 45° C ambient
- Only to apply in dry or damp locations and most of open fixtures with lamp-holders that offer sufficient space (10 mm free air space)
- Not intended for use with emergency light fixtures or exit lights

### Product data

General Information		Light Technical	
Cap base	GU5.3 [ GU5.3]	Luminous intensity (nom.)	800 cd
EU RoHS compliant	Yes	Colour designation	Cool White (CW)
Nominal lifetime (nom.)	25000 h	Correlated Colour Temperature (Nom)	4000 K
Switching cycle	50,000X	Luminous efficacy (rated) (nom.)	94.00 lm/W
Technical type	7-50W	Colour consistency	<6
		Colour rendering index (nom.)	80
		LLMF at end of nominal lifetime (nom.)	70 %
		Luminous flux in 90° cone (rated)	660 lm
Light Technical		Operating and Electrical	
Colour Code	841 [ CCT of 4100K (841)]	Input frequency	- Hz
Beam Angle (Nom)	60 °		
Luminous flux (nom.)	660 lm		

# MASTER LEDspot LV

Power (Rated) (Nom)	7 W
Lamp current (nom.)	770 mA
Wattage equivalent	50 W
Starting time (nom.)	0.5 s
Warm-up time to 60% light (nom.)	0.5 s
Power factor (nom.)	0.8
Voltage (Nom)	12 V

## Temperature

T-Case maximum (nom.)	85 °C
-----------------------	-------

## Controls and Dimming

Dimmable	Yes
----------	-----

## Mechanical and Housing

Bulb shape	MR16 [ 2inch/50mm]
------------	--------------------

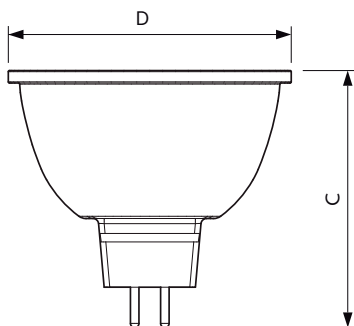
## Approval and Application

Suitable for accent lighting	Yes
Energy consumption kWh/1,000 hours	8 kWh

## Product Data

Full product code	871869681564900
Order product name	MASTER LED SPOT VLE D 7-50W MR16 840 60D
EAN/UPC – product	8718696815649
Order code	81564900
SAP numerator – quantity per pack	1
Numerator – packs per outer box	10
SAP material	929001903902
SAP net weight (piece)	0.034 kg

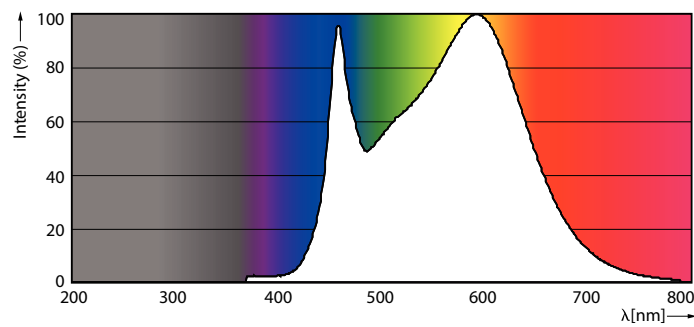
## Dimensional drawing



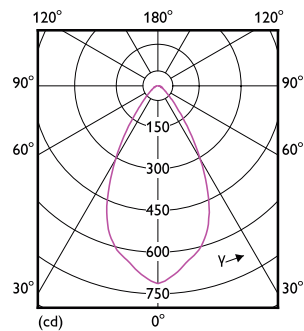
MR16 12V 7W-50W 630lm 60D 4000K GU5.3 D

Product	D	C
MASTER LED SPOT VLE D 7-50W MR16 840 60D	50.5 mm	45 mm

## Photometric data



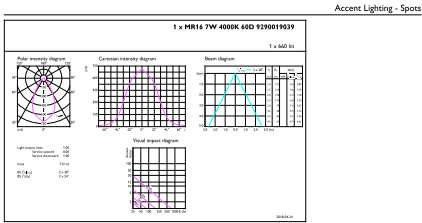
LEDspot MAS VLE 7-50W GU5.3 MR16 840 36D DIM



LEDspot MAS VLE 7-50W GU5.3 MR16 840 60D DIM

# MASTER LEDspot LV

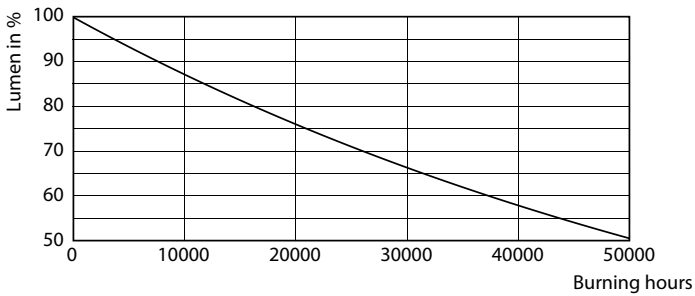
## Photometric data



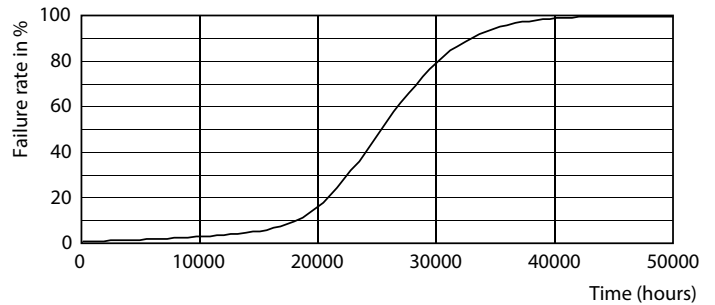
CalcutX Photometrics 4.3 Philips Lighting B.V. Page: 1/1

### LEDspot MAS VLE 7-50W GU5.3 MR16 840 60D DIM

## Lifetime



### LEDspot MAS VLE 7-50W GU5.3 MR16 830 36D DIM



### LEDspot MAS VLE 7-50W GU5.3 MR16 830 36D DIM

