



MASTER LEDspot LV

MASTER LED SPOT VLE D 7-50W MR16 827 60D

Delivering a warm, halogen-like accent beam, MASTER LEDspot LV is an ideal retrofit solution for spot and general lighting applications in the hospitality industry. It is particularly suited to public areas such as receptions, lobbies, corridors, stairwells and washrooms, where the light is on all the time. The robustly designed MASTER LEDspot offers a choice of beam angles for a clearly defined beam spread. There is no UV or IR in the beam, making it suitable for illuminating heat-sensitive objects (food, organic materials, paintings, etc.). The patented intelligent driver enables broad compatibility with existing electromagnetic and electronic halogen transformers. The dimmable versions drive further efficiencies, while helping to create the desired atmosphere.

Warnings and Safety

- Operating temperature range is between -20° C and 45° C ambient
- Only to apply in dry or damp locations and most of open fixtures with lamp-holders that offer sufficient space (10 mm free air space)
- Not intended for use with emergency light fixtures or exit lights

Product data

General Information	
Cap base	GU5.3 [GU5.3]
EU RoHS compliant	Yes
Nominal lifetime (nom.)	25000 h
Switching cycle	50,000X
Technical type	7-50W
Light Technical	
Colour Code	827 [CCT of 2,700 K]
Beam Angle (Nom)	60 °
Luminous flux (nom.)	621 lm

Luminous intensity (nom.)	750 cd
Colour designation	Warm White (WW)
Correlated Colour Temperature (Nom)	2700 K
Luminous efficacy (rated) (nom.)	88.00 lm/W
Colour consistency	<6
Colour rendering index (nom.)	80
LLMF at end of nominal lifetime (nom.)	70 %
Luminous flux in 90° cone (rated)	621 lm
Operating and Electrical	
Input frequency	- Hz

MASTER LEDspot LV

Power (Rated) (Nom)	7 W
Lamp current (nom.)	770 mA
Wattage equivalent	50 W
Starting time (nom.)	0.5 s
Warm-up time to 60% light (nom.)	0.5 s
Power factor (nom.)	0.8
Voltage (Nom)	12 V

Temperature

T-Case maximum (nom.)	85 °C
-----------------------	-------

Controls and Dimming

Dimmable	Yes
----------	-----

Mechanical and Housing

Bulb shape	MR16 [2inch/50mm]
------------	--------------------

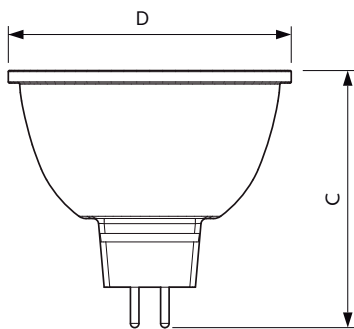
Approval and Application

Suitable for accent lighting	Yes
Energy consumption kWh/1,000 hours	8 kWh

Product Data

Full product code	871869681560100
Order product name	MASTER LED SPOT VLE D 7-50W MR16 827 60D
EAN/UPC – product	8718696815601
Order code	81560100
SAP numerator – quantity per pack	1
Numerator – packs per outer box	10
SAP material	929001903702
SAP net weight (piece)	0.030 kg

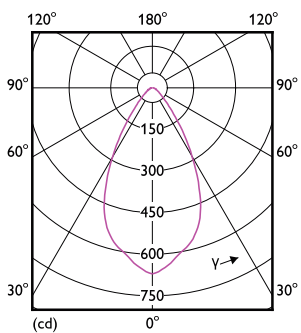
Dimensional drawing



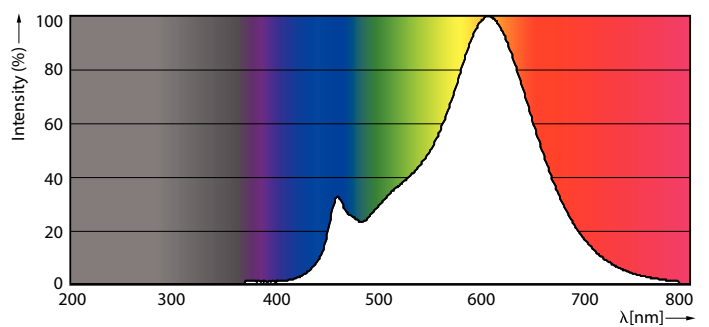
MR16 12V 7W-50W 621lm 60D 2700K GU5.3 D

Product	D	C
MASTER LED SPOT VLE D 7-50W MR16 827 60D	50.5 mm	45 mm

Photometric data



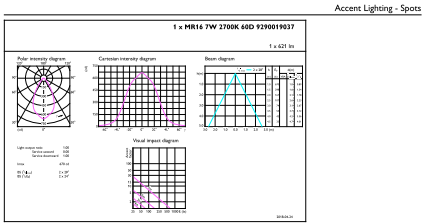
LEDspot MAS VLE 7-50W GU5.3 MR16 827 60D DIM



LEDspot MAS VLE 7-50W GU5.3 MR16 827 36D DIM

MASTER LEDspot LV

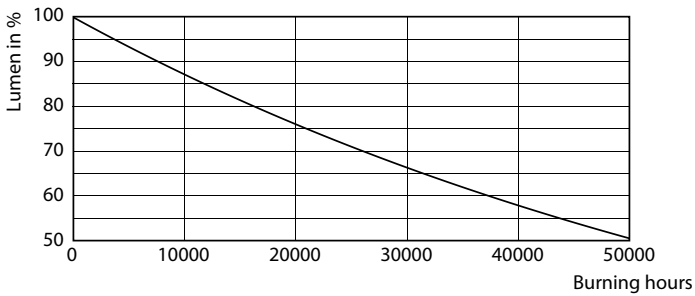
Photometric data



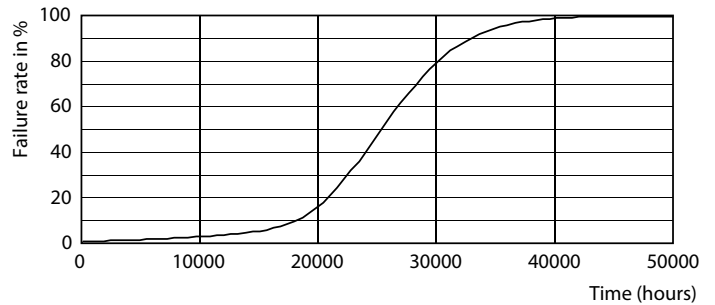
CalcutX Photometrics 4.3 Philips Lighting B.V. Page: 1/1

LEDspot MAS VLE 7-50W GU5.3 MR16 827 60D DIM

Lifetime



LEDspot MAS VLE 7-50W GU5.3 MR16 830 36D DIM



LEDspot MAS VLE 7-50W GU5.3 MR16 830 36D DIM

