



# MASTER LEDspot LV

## MASTER LED SPOT VLE D 7-50W MR16 840 36D

Delivering a warm, halogen-like accent beam, MASTER LEDspot LV is an ideal retrofit solution for spot and general lighting applications in the hospitality industry. It is particularly suited to public areas such as receptions, lobbies, corridors, stairwells and washrooms, where the light is on all the time. The robustly designed MASTER LEDspot offers a choice of beam angles for a clearly defined beam spread. There is no UV or IR in the beam, making it suitable for illuminating heat-sensitive objects (food, organic materials, paintings, etc.). The patented intelligent driver enables broad compatibility with existing electromagnetic and electronic halogen transformers. The dimmable versions drive further efficiencies, while helping to create the desired atmosphere.

### Warnings and Safety

- Operating temperature range is between -20° C and 45° C ambient
- Only to apply in dry or damp locations and most of open fixtures with lamp-holders that offer sufficient space (10 mm free air space)
- Not intended for use with emergency light fixtures or exit lights

### Product data

General Information		Operating and Electrical	
Cap base	GU5.3 [ GU5.3]	Luminous intensity (nom.)	1650 cd
EU RoHS compliant	Yes	Colour designation	Cool White (CW)
Nominal lifetime (nom.)	25000 h	Correlated Colour Temperature (Nom)	4000 K
Switching cycle	50,000X	Luminous efficacy (rated) (nom.)	94.00 lm/W
Technical type	7-50W	Colour consistency	<6
Light Technical		Colour rendering index (nom.)	80
Colour Code	841 [ CCT of 4100K (841)]	LLMF at end of nominal lifetime (nom.)	70 %
Beam Angle (Nom)	36 °	Luminous flux in 90° cone (rated)	660 lm
Luminous flux (nom.)	660 lm	Input frequency	- Hz

# MASTER LEDspot LV

Power (Rated) (Nom)	7 W
Lamp current (nom.)	770 mA
Wattage equivalent	50 W
Starting time (nom.)	0.5 s
Warm-up time to 60% light (nom.)	0.5 s
Power factor (nom.)	0.8
Voltage (Nom)	12 V

## Temperature

T-Case maximum (nom.)	85 °C
-----------------------	-------

## Controls and Dimming

Dimmable	Yes
----------	-----

## Mechanical and Housing

Bulb shape	MR16 [ 2inch/50mm]
------------	--------------------

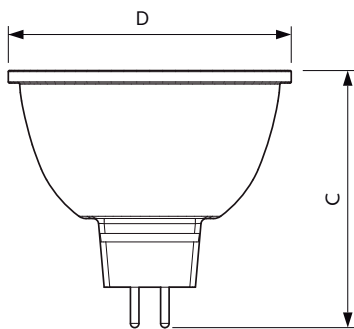
## Approval and Application

Suitable for accent lighting	Yes
Energy consumption kWh/1,000 hours	8 kWh

## Product Data

Full product code	871869681558800
Order product name	MASTER LED SPOT VLE D 7-50W MR16 840 36D
EAN/UPC – product	8718696815588
Order code	81558800
SAP numerator – quantity per pack	1
Numerator – packs per outer box	10
SAP material	929001903602
SAP net weight (piece)	0.030 kg

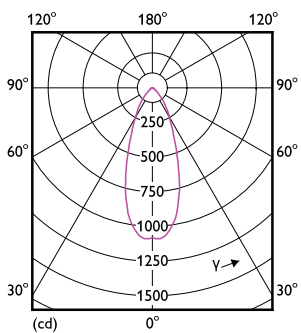
## Dimensional drawing



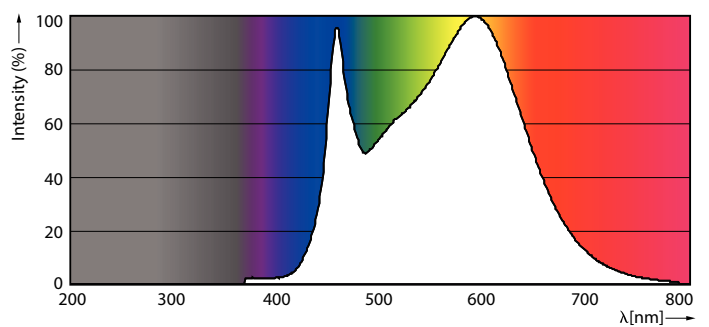
MR16 12V 7W-50W 630lm 36D 4000K GU5.3 D

Product	D	C
MASTER LED SPOT VLE D 7-50W MR16 840 36D	50.5 mm	45 mm

## Photometric data



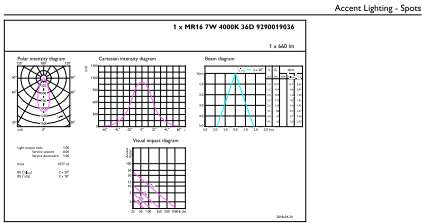
LEDspot MAS VLE 7-50W GU5.3 MR16 840 36D DIM



LEDspot MAS VLE 7-50W GU5.3 MR16 840 36D DIM

# MASTER LEDspot LV

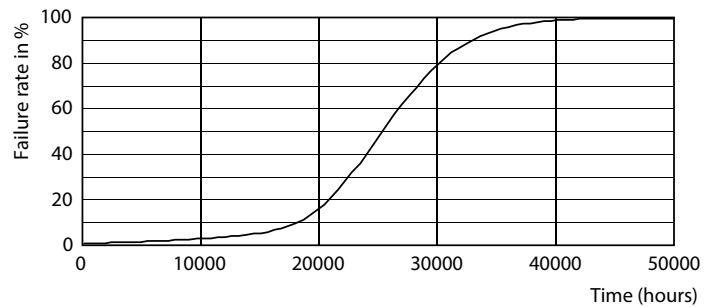
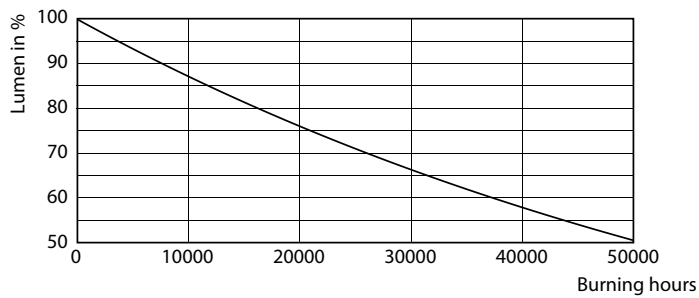
## Photometric data



CalcusX Photometrics 4.3 Philips Lighting B.V. Page: 1/1

### LEDspot MAS VLE 7-50W GU5.3 MR16 840 36D DIM

## Lifetime



### LEDspot MAS VLE 7-50W GU5.3 MR16 830 36D DIM

### LEDspot MAS VLE 7-50W GU5.3 MR16 830 36D DIM

