



MASTER LEDspot LV

MASTER LED SPOT VLE D 7-50W MR16 830 36D

Delivering a warm, halogen-like accent beam, MASTER LEDspot LV is an ideal retrofit solution for spot and general lighting applications in the hospitality industry. It is particularly suited to public areas such as receptions, lobbies, corridors, stairwells and washrooms, where the light is on all the time. The robustly designed MASTER LEDspot offers a choice of beam angles for a clearly defined beam spread. There is no UV or IR in the beam, making it suitable for illuminating heat-sensitive objects (food, organic materials, paintings, etc.). The patented intelligent driver enables broad compatibility with existing electromagnetic and electronic halogen transformers. The dimmable versions drive further efficiencies, while helping to create the desired atmosphere.

Warnings and Safety

- Operating temperature range is between -20° C and 45° C ambient
- Only to apply in dry or damp locations and most of open fixtures with lamp-holders that offer sufficient space (10 mm free air space)
- Not intended for use with emergency light fixtures or exit lights

Product data

| General Information | | Operating and Electrical | |
|-------------------------|-----------------------|--|------------|
| Cap base | GU5.3 [GU5.3] | Luminous intensity (nom.) | 1500 cd |
| EU RoHS compliant | Yes | Colour designation | White (WH) |
| Nominal lifetime (nom.) | 25000 h | Correlated Colour Temperature (Nom) | 3000 K |
| Switching cycle | 50,000X | Luminous efficacy (rated) (nom.) | 90.00 lm/W |
| Technical type | 7-50W | Colour consistency | <6 |
| | | Colour rendering index (nom.) | 80 |
| | | LLMF at end of nominal lifetime (nom.) | 70 % |
| | | Luminous flux in 90° cone (rated) | 630 lm |
| Light Technical | | | |
| Colour Code | 830 [CCT of 3,000 K] | Input frequency | - Hz |
| Beam Angle (Nom) | 36 ° | | |
| Luminous flux (nom.) | 630 lm | | |

MASTER LEDspot LV

| | |
|----------------------------------|--------|
| Power (Rated) (Nom) | 7 W |
| Lamp current (nom.) | 770 mA |
| Wattage equivalent | 50 W |
| Starting time (nom.) | 0.5 s |
| Warm-up time to 60% light (nom.) | 0.5 s |
| Power factor (nom.) | 0.8 |
| Voltage (Nom) | 12 V |

Temperature

| | |
|-----------------------|-------|
| T-Case maximum (nom.) | 85 °C |
|-----------------------|-------|

Controls and Dimming

| | |
|----------|-----|
| Dimmable | Yes |
|----------|-----|

Mechanical and Housing

| | |
|------------|--------------------|
| Bulb shape | MR16 [2inch/50mm] |
|------------|--------------------|

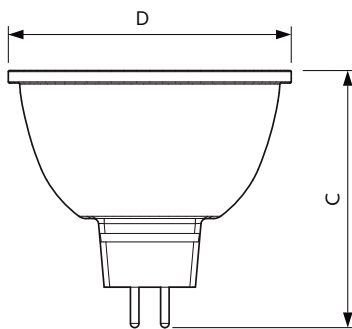
Approval and Application

| | |
|------------------------------------|-------|
| Suitable for accent lighting | Yes |
| Energy consumption kWh/1,000 hours | 8 kWh |

Product Data

| | |
|-----------------------------------|--|
| Full product code | 871869681556400 |
| Order product name | MASTER LED SPOT VLE D 7-50W MR16 830 36D |
| EAN/UPC – product | 8718696815564 |
| Order code | 81556400 |
| SAP numerator – quantity per pack | 1 |
| Numerator – packs per outer box | 10 |
| SAP material | 929001903502 |
| SAP net weight (piece) | 0.030 kg |

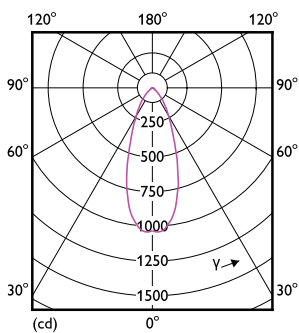
Dimensional drawing



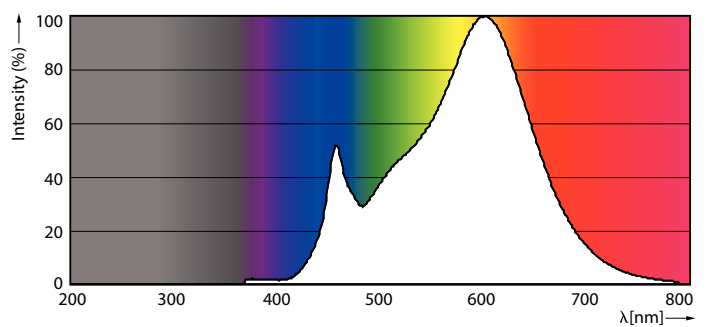
MR16 12V 7W-50W 621lm 36D 3000K GU5.3 D

| Product | D | C |
|--|---------|-------|
| MASTER LED SPOT VLE D 7-50W MR16 830 36D | 50.5 mm | 45 mm |

Photometric data



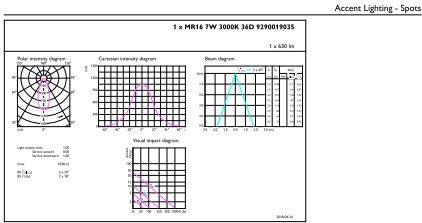
LEDspot MAS VLE 7-50W GU5.3 MR16 830 36D DIM



LEDspot Corepro 7-50W GU5.3 MR16 830 36D ND

MASTER LEDspot LV

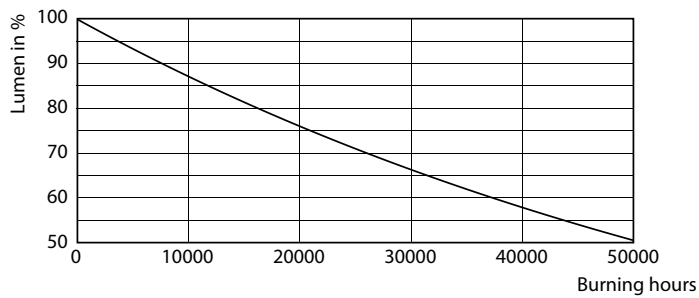
Photometric data



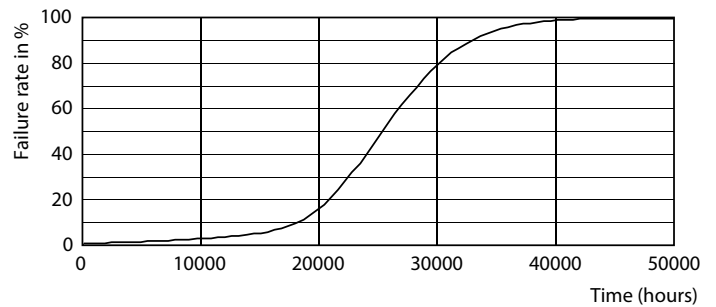
CalcutX Photometrics 4.3 Philips Lighting B.V. Page: 1/1

LEDspot MAS VLE 7-50W GU5.3 MR16 830 36D DIM

Lifetime



LEDspot MAS VLE 7-50W GU5.3 MR16 830 36D DIM



LEDspot MAS VLE 7-50W GU5.3 MR16 830 36D DIM

