



# Essential LEDspot MR16

## ESS LED MR16 4.5-50W 36D 830 SO 100-240V

Essential LEDspots MR16 are compatible with most existing fixtures with a GU5.3 socket and are designed as a retrofit replacement for halogen spots. Essential LEDspots MR16 deliver significant energy savings and minimise the initial investment.

### Product data

General Information	
Cap base	GU5.3 [ GU5.3]
EU RoHS compliant	Yes
Nominal lifetime (nom.)	15000 h
Switching cycle	50,000X
Technical type	4.5-50W
Light Technical	
Colour Code	830 [ CCT of 3,000 K]
Beam Angle (Nom)	36 °
Luminous flux (nom.)	400 lm
Luminous intensity (nom.)	700 cd
Colour designation	White (WH)
Correlated Colour Temperature (Nom)	3000 K
Luminous efficacy (rated) (nom.)	88.00 lm/W
Colour consistency	<6
Colour rendering index (nom.)	80
LLMF at end of nominal lifetime (nom.)	70 %

Operating and Electrical	
Input frequency	50 to 60 Hz
Power (Rated) (Nom)	4.5 W
Wattage equivalent	50 W
Starting time (nom.)	0.5 s
Warm-up time to 60% light (nom.)	0.5 s
Power factor (nom.)	0.4
Voltage (Nom)	100-240 V
Temperature	
T-Case maximum (nom.)	65 °C
Controls and Dimming	
Dimmable	No
Mechanical and Housing	
Bulb shape	MR16 [ 2inch/50mm]
Approval and Application	
Suitable for accent lighting	Yes

# Essential LEDspot MR16

Energy consumption kWh/1,000 hours 4.5 kWh

## Product Data

Full product code	871869680919800
Order product name	ESS LED MR16 4.5-50W 36D 830 SO 100-240V
EAN/UPC – product	8718696809198
Order code	80919800

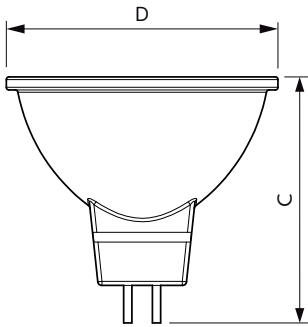
SAP numerator – quantity per pack 1

Numerator – packs per outer box 10

SAP material 929001874008

SAP net weight (piece) 0.038 kg

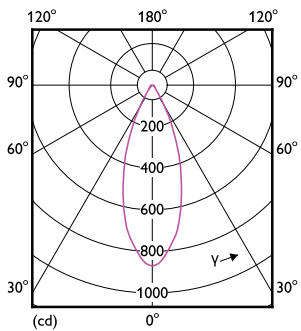
## Dimensional drawing



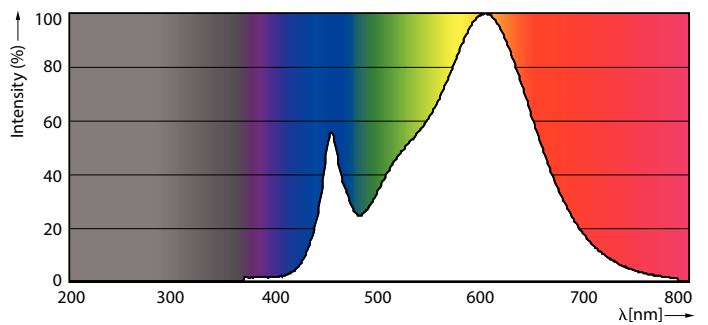
ESS LED MR16 4.5-50W 36D 830 SO 100-240V

Product	D	C
ESS LED MR16 4.5-50W 36D 830 SO 100-240V	50.5 mm	46.5 mm

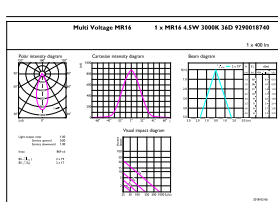
## Photometric data



50W GU5-3 MR16 36D 830 3000K



50W GU5-3 MR16



Accore Lighting - Spots

CalcLux Proometrics 4.5

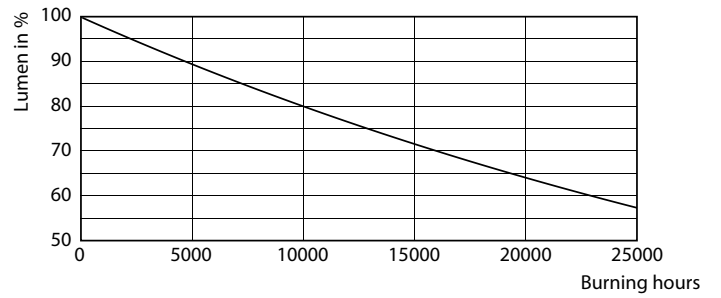
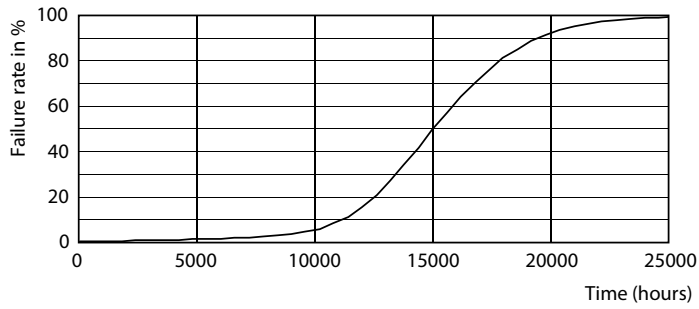
Phoen Lighting BV

Page 1/1

50W GU5-3 MR16 36D 830 3000K

# Essential LEDspot MR16

## Lifetime



50W GU5-3 MR16

50W GU5-3 MR16

