



MASTER LEDspot ExpertColor LV

MASTER LED MR16 ExpertColor 7.2-50W 927 36D

MASTER LEDspot LV ExpertColor creates a warm and comfortable ambience for hospitality venues, homes and restaurants. It creates such an ambience with superior lighting that has a customised spectrum, high CRI and deep dimming feature. The result? A beautiful lighting experience. What's more, the innovative, trimless lens design will suit almost any interior decor with its clean and neat look. In addition, you can take advantage of the full ExpertColor family, which also includes LEDspot MV and LEDspot Par lamps.

Product data

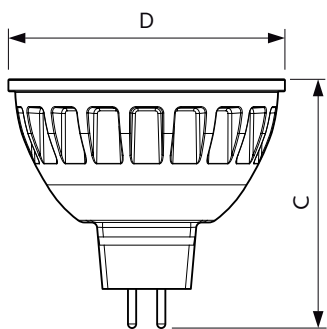
| General Information | | LLMF at end of nominal lifetime (nom.) 70 % | |
|-------------------------------------|-----------------|---|--------|
| Cap base | GU5.3 [GU5.3] | | |
| EU RoHS compliant | Yes | | |
| Nominal lifetime (nom.) | 40000 h | | |
| Switching cycle | 50,000X | | |
| Technical type | 7.2-50W | | |
| Light Technical | | Operating and Electrical | |
| Colour Code | 927 | Input frequency | - Hz |
| Beam Angle (Nom) | 36 ° | Power (Rated) (Nom) | 7.2 W |
| Luminous flux (nom.) | 450 lm | Lamp current (nom.) | 800 mA |
| Luminous intensity (nom.) | 1350 cd | Wattage equivalent | 50 W |
| Colour designation | Warm White (WW) | Starting time (nom.) | 0.5 s |
| Correlated Colour Temperature (Nom) | 2700 K | Warm-up time to 60% light (nom.) | 1 s |
| Luminous efficacy (rated) (nom.) | 62.50 lm/W | Power factor (nom.) | 0.7 |
| Colour consistency | <3 | Voltage (Nom) | 12 V |
| Colour rendering index (nom.) | 97 | | |
| | | Temperature | |
| | | T-Case maximum (nom.) | 92 °C |
| | | Controls and Dimming | |
| | | Dimmable | Yes |

MASTER LEDspot ExpertColor LV

| Mechanical and Housing | |
|------------------------------------|--------------------|
| Bulb shape | MR16 [2inch/50mm] |
| Approval and Application | |
| Energy-saving product | Yes |
| Suitable for accent lighting | Yes |
| Energy consumption kWh/1,000 hours | - kWh |
| Product Data | |
| Full product code | 871869657183500 |

| | |
|-----------------------------------|---|
| Order product name | MASTER LED MR16 ExpertColor 7.2-50W 927 36D |
| EAN/UPC – product | 8718696571835 |
| Order code | 57183500 |
| SAP numerator – quantity per pack | 1 |
| Numerator – packs per outer box | 10 |
| SAP material | 929001242508 |
| SAP net weight (piece) | 0.034 kg |

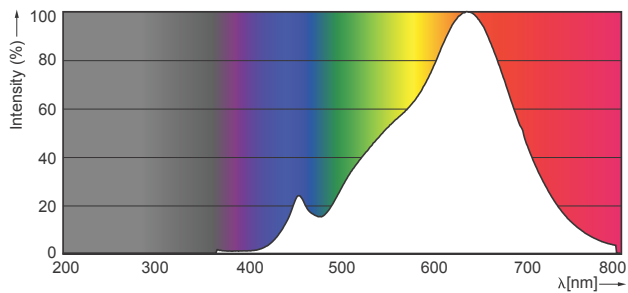
Dimensional drawing



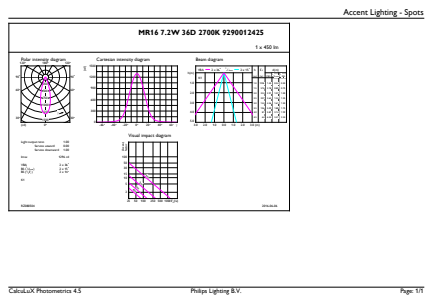
MR16 12V 7.2-50W 420lm 36D 2700K GU5.3 D

| Product | D | C |
|---|-------|-------|
| MASTER LED MR16 ExpertColor 7.2-50W 927 36D | 51 mm | 46 mm |

Photometric data



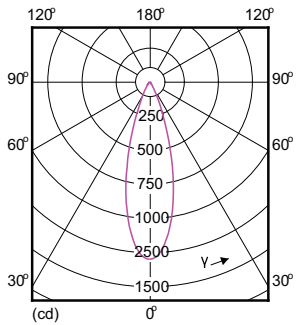
MAS LED ExpertColor 7.2-50W MR16 GU5.3 927



MAS LED ExpertColor 7.2-50W MR16 GU5.3 927 36D

MASTER LEDspot ExpertColor LV

Photometric data



MAS LED ExpertColor 7.2-50W MR16 GU5.3 927 36D

Lifetime



Master LEDspot ExpertColor LV 50W EZ10 927 10D



Master LEDspot ExpertColor LV 50W EZ10 927 10D

