



MASTER LEDspot ExpertColor LV

MASTER LED MR16 ExpertColor 7.2-50W 940 10D

MASTER LEDspot LV ExpertColor creates a warm and comfortable ambience for hospitality venues, homes and restaurants. It creates such an ambience with superior lighting that has a customised spectrum, high CRI and deep dimming feature. The result? A beautiful lighting experience. What's more, the innovative, trimless lens design will suit almost any interior decor with its clean and neat look. In addition, you can take advantage of the full ExpertColor family, which also includes LEDspot MV and LEDspot Par lamps.

Product data

General Information	
Cap base	GU5.3 [GU5.3]
EU RoHS compliant	Yes
Nominal lifetime (nom.)	40000 h
Switching cycle	50,000X
Technical type	7.2-50W
Light Technical	
Colour Code	940 [CCT of 4,000 K]
Beam Angle (Nom)	10°
Luminous flux (nom.)	480 lm
Luminous intensity (nom.)	5000 cd
Colour designation	Cool White (CW)
Correlated Colour Temperature (Nom)	4000 K
Luminous efficacy (rated) (nom.)	66.67 lm/W
Colour consistency	<3
Colour rendering index (nom.)	97

LLMF at end of nominal lifetime (nom.) 70 %	
Operating and Electrical	
Input frequency	- Hz
Power (Rated) (Nom)	7.2 W
Lamp current (nom.)	800 mA
Wattage equivalent	50 W
Starting time (nom.)	0.5 s
Warm-up time to 60% light (nom.)	1 s
Power factor (nom.)	0.7
Voltage (Nom)	12 V
Temperature	
T-Case maximum (nom.)	92 °C
Controls and Dimming	
Dimmable	Yes

MASTER LEDspot ExpertColor LV

Mechanical and Housing

Bulb shape MR16 [2inch/50mm]

Approval and Application

Energy-saving product Yes

Suitable for accent lighting Yes

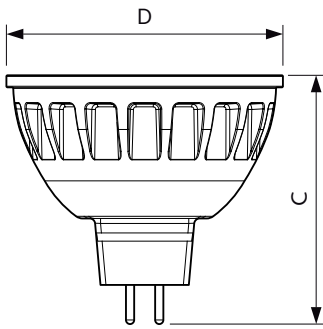
Energy consumption kWh/1,000 hours - kWh

Product Data

Full product code 871869657175000

Order product name	MASTER LED MR16 ExpertColor 7.2-50W 940 10D
EAN/UPC – product	8718696571750
Order code	57175000
SAP numerator – quantity per pack	1
Numerator – packs per outer box	10
SAP material	929001242108
SAP net weight (piece)	0.034 kg

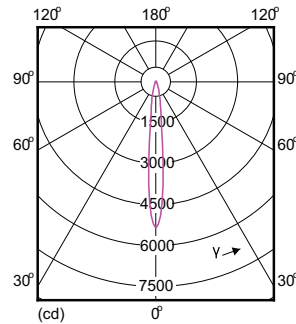
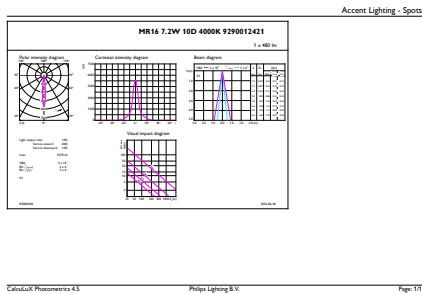
Dimensional drawing



MR16 12V 7.2-50W 420lm 10D 4000K GU5.3 D

Product	D	C
MASTER LED MR16 ExpertColor 7.2-50W 940 10D	51 mm	46 mm

Photometric data

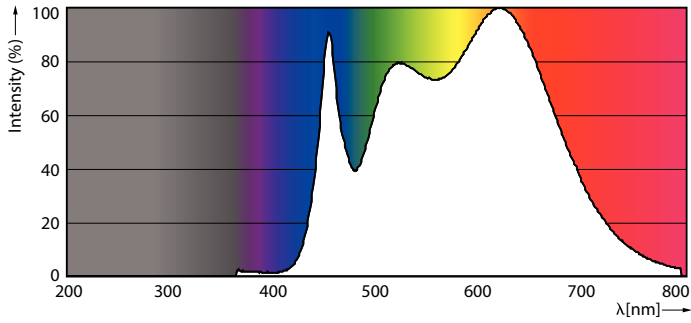


MAS LED ExpertColor 7.2-50W MR16 GU5.3 940 10D

MAS LED ExpertColor 7.2-50W MR16 GU5.3 940 10D

MASTER LEDspot ExpertColor LV

Photometric data



LEDspot 7.2W MR16 940 10-24D ExpertColor

