



# MASTER SDW-T

## MASTER SDW-T 100W/825 PG12-1 1SL/12

Range of high-efficiency, discharge lamps with warm color to be used in open luminaires

### Warnings and Safety

- Use only with dedicated Philips control gear
- A lamp breaking is extremely unlikely to have any impact on your health. If a lamp breaks, ventilate the room for 30 minutes and remove the parts, preferably with gloves. Put them in a sealed plastic bag and take it to your local waste facilities for recycling. Do not use a vacuum cleaner.

### Product data

General information	
Cap base	PG12-1 [ PG12-1]
Operating position	UNIVERSAL [ Any or Universal (U)]
Life to 5% failures (nom.)	5000 h
Life to 20% failures (nom.)	10000 h
Life to 50% failures (nom.)	15000 h
Useful life (nom.)	10000 h
ANSI code HID	-
System description	High Voltage [ 200-250V (HV)] Sphere
Light technical	
Colour Code	825 [ CCT of 2,500 K]
Luminous flux (nom.)	5100 lm
Luminous flux (rated) (nom.)	5100 lm
Colour designation	Golden White
Lumen maintenance 2,000 hours (nom.)	85 %
Lumen maintenance 5,000 hours (nom.)	80 %
Chromaticity coordinate X (nom.)	0.478

Chromaticity coordinate Y (nom.)	0.415
Correlated Colour Temperature (Nom)	2500 K
Luminous efficacy (rated) (nom.)	52.58 lm/W
Colour rendering index (nom.)	83

### Operating and electrical

Power (Rated) (Nom)	97.0 W
Lamp current run-up (max.)	2.8 A
Lamp current (EM) (nom.)	0.13 A
Ignition peak voltage (max.)	5000 V
Ignition supply voltage (min.)	205 V
Voltage (Max)	108 V
Voltage (Min)	88 V
Voltage (Nom)	97 V

### Controls and dimming

Dimmable	No
----------	----

# MASTER SDW-T

## Mechanical and housing

Lamp Finish	Clear
Bulb material	Hard Glass
Bulb shape	T31 [ T 31mm]

## Approval and application

Energy Efficiency Class	G
Mercury (Hg) content (max.)	11.4 mg
Mercury (Hg) content (nom.)	11.4 mg
Energy consumption kWh/1,000 hours	97 kWh
	473397

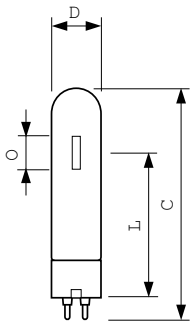
## Luminaire design requirements

Bulb temperature (max.)	450 °C
Cap-base temperature (max.)	120 °C
Cap-Base Temperature (Max)-DUP(do not use)	248 °F

## Product data

Full product code	871150073404415
Order product name	MASTER SDW-T 100W/825 PG12-1 1SL/12
EAN/UPC – product	8711500734044
Order code	73404415
SAP numerator – quantity per pack	1
Local code description	8346795
Numerator – packs per outer box	12
SAP material	928154109227
Net Weight (Piece)	0.055 kg
ILCOS code	STH-100-H/E-PG12

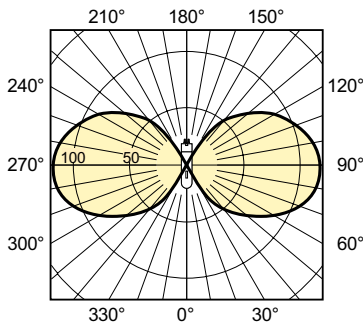
## Dimensional drawing



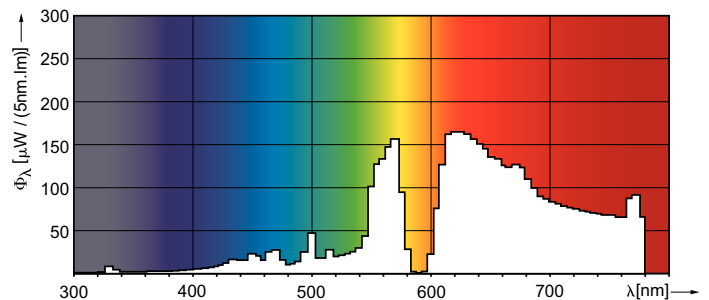
MASTER SDW-T 100W/825 PG12-1 1SL/12

Product	D (max)	O	L	C (max)
MASTER SDW-T 100W/825 PG12-1 1SL/12	32 mm	18.3 mm	91 mm	149 mm

## Photometric data



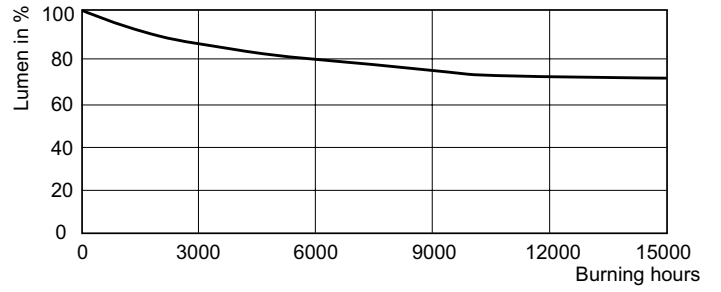
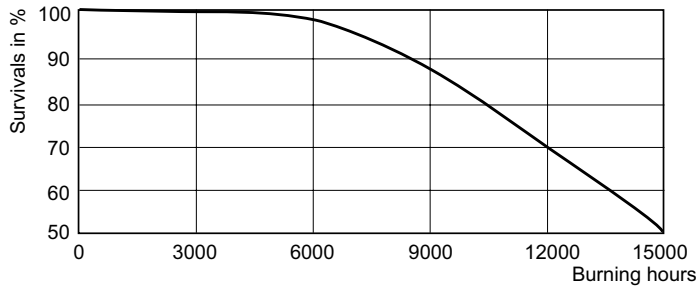
LDLD\_SDW-T-Light distribution diagram



LDPO\_SDW-T\_35W\_50W\_100W-Spectral power distribution Colour

# MASTER SDW-T

## Lifetime



LDLE\_SDW-T\_100W\_825-Life expectancy diagram

