



MASTER SDW-T

MASTER SDW-T 50W/825 PG12-1 1SL/12

Range of high-efficiency, discharge lamps with warm color to be used in open luminaires

Warnings and Safety

- Use only with dedicated Philips control gear
- A lamp breaking is extremely unlikely to have any impact on your health. If a lamp breaks, ventilate the room for 30 minutes and remove the parts, preferably with gloves. Put them in a sealed plastic bag and take it to your local waste facilities for recycling. Do not use a vacuum cleaner.

Product data

General information	
Cap base	PG12-1 [PG12-1]
Operating position	UNIVERSAL [Any or Universal (U)]
Life to 5% failures (nom.)	8000 h
Life to 20% failures (nom.)	12000 h
Life to 50% failures (nom.)	15000 h
Useful life (nom.)	10000 h
ANSI code HID	-
System description	High Voltage [200-250V (HV)] Sphere
Light technical	
Colour Code	825 [CCT of 2,500 K]
Luminous flux (nom.)	2500 lm
Luminous flux (rated) (nom.)	2500 lm
Colour designation	Golden White
Lumen maintenance 2,000 hours (nom.)	95 %
Lumen maintenance 5,000 hours (nom.)	90 %
Chromaticity coordinate X (nom.)	0.478

Chromaticity coordinate Y (nom.)	0.415
Correlated Colour Temperature (Nom)	2500 K
Luminous efficacy (rated) (nom.)	45.45 lm/W
Colour-rendering index (min.)	80
Colour rendering index (nom.)	82
Operating and electrical	
Power (Rated) (Nom)	55.5 W
Lamp current run-up (max.)	1.5 A
Lamp current (EM) (nom.)	0.78 A
Ignition peak voltage (max.)	5000 V
Ignition supply voltage (min.)	205 V
Voltage (Max)	102 V
Voltage (Min)	82 V
Voltage (Nom)	90 V
Controls and dimming	
Dimmable	No

MASTER SDW-T

Mechanical and housing

Lamp Finish	Clear
Bulb material	Soft Glass
Bulb shape	T31 [T 31mm]

Approval and application

Energy Efficiency Class	G
Mercury (Hg) content (max.)	7.6 mg
Mercury (Hg) content (nom.)	7.6 mg
Energy consumption kWh/1,000 hours	56 kWh
	473396

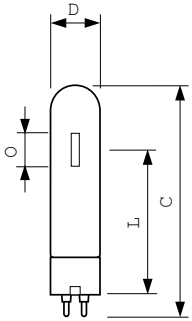
Luminaire design requirements

Bulb temperature (max.)	350 °C
Cap-base temperature (max.)	120 °C
Cap-Base Temperature (Max)-DUP(do not use)	248 °F

Product data

Full product code	871150073403715
Order product name	MASTER SDW-T 50W/825 PG12-1 1SL/12
EAN/UPC – product	8711500734037
Order code	73403715
SAP numerator – quantity per pack	1
Local code description	4825586
Numerator – packs per outer box	12
SAP material	928153909227
Net Weight (Piece)	0.048 kg
ILCOS code	STH-50-H/E-PG12

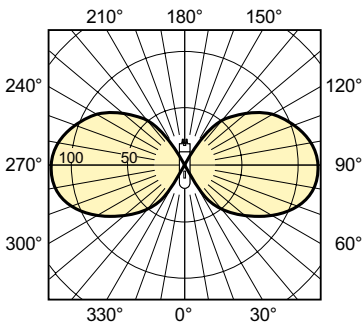
Dimensional drawing



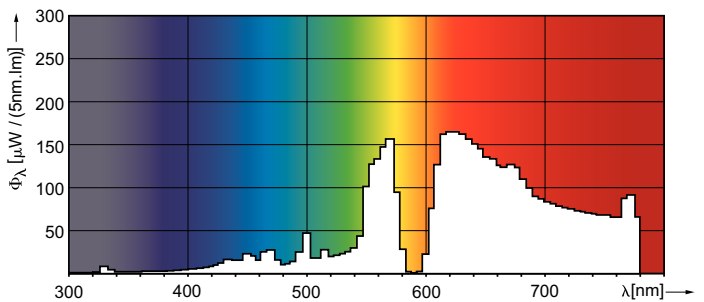
MASTER SDW-T 50W/825 PG12-1 1SL/12

Product	D (max)	O	L	C (max)
MASTER SDW-T 50W/825 PG12-1 1SL/12	32 mm	15.4 mm	91 mm	149 mm

Photometric data



LDLD_SDW-T-Light distribution diagram



LDPO_SDW-T_35W_50W_100W-Spectral power distribution Colour

MASTER SDW-T

Lifetime

