



MASTER CityWhite CDO-TT



MASTER CityWhite CDO-TT Plus 250W/830 E40

Ceramic metal halide lamp with clear tubular outer bulb shape, used in outdoor offering pleasant white light

Warnings and Safety

- Use only in totally enclosed luminaire, even during testing (IEC61167, IEC 62035, IEC60598)
- The luminaire must be able to contain hot lamp parts if the lamp ruptures
- Lamps may use electromagnetic control gear or electronic gear suitable to drive CDO lamps (e.g. HID-PV Xt CDO)
- Control gear must include end-of-life protection (IEC61167, IEC 62035)
- Warm restart time can be up to 15 minutes; T15 ignitors therefore advised
- A lamp breaking is extremely unlikely to have any impact on your health. If a lamp breaks, ventilate the room for 30 minutes and remove the parts, preferably with gloves. Put them in a sealed plastic bag and take it to your local waste facilities for recycling. Do not use a vacuum cleaner.

Product data

General Information		LSF 20000 h Rated	
Cap base	E40 [E40]		71 %
Operating position	UNIVERSAL [Any or Universal (U)]		Sphere
Life to 5% failures (nom.)	14000 h	Light Technical	
Life to 10% failures (nom.)	16000 h	Colour Code	830 [CCT of 3,000 K]
Life to 20% failures (nom.)	18500 h	Luminous flux (nom.)	28400 lm
Life to 50% failures (nom.)	23000 h	Luminous flux (rated) (nom.)	28400 lm
LSF 2000 h Rated	99 %	Colour designation	Warm White (WW)
LSF 4000 h Rated	99 %	Chromaticity coordinate X (nom.)	0.434
LSF 6000 h Rated	99 %	Chromaticity coordinate Y (nom.)	0.398
LSF 8000 h Rated	99 %	Correlated Colour Temperature (Nom)	3000 K
LSF 12000 h Rated	98 %	Luminous efficacy (rated) (nom.)	113 lm/W
LSF 16000 h Rated	90 %	Colour rendering index (nom.)	88

MASTER CityWhite CDO-TT

LLMF 2000 h Rated	95 %
LLMF 4000 h Rated	92 %
LLMF 6000 h Rated	90 %
LLMF 8000 h Rated	88 %
LLMF 12000 h Rated	85 %
LLMF 16000 h Rated	82 %
LLMF 20000 h Rated	80 %
Ratio scotopic/photopic lumens	1.30

Operating and Electrical

Power (Rated) (Nom)	250.0 W
Lamp current run-up (max.)	4.2 A
Lamp current (EM) (nom.)	0.295 A
Ignition peak voltage (max.)	5000 V
Ignition supply voltage (min.)	198 V
Re-ignition time (min.) (max.)	900 s
Ignition time (max.)	30 s
Voltage (Max)	108 V
Voltage (Min)	92 V
Voltage (Nom)	99 V

Controls and Dimming

Dimmable	Yes
Run-up time 90% (max.)	3 min

Mechanical and Housing

Lamp Finish	Clear
Bulb shape	T46 [T 46mm]

Approval and Application

Energy Efficiency Class	F
Mercury (Hg) content (max.)	25 mg
Mercury (Hg) content (nom.)	25.3 mg
Energy consumption kWh/1,000 hours	250 kWh
	473329

UV

PET (NIOSH) (min.)	8 h/500lx
--------------------	-----------

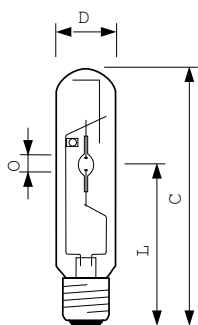
Luminaire Design Requirements

Bulb temperature (max.)	450 °C
Cap-base temperature (max.)	250 °C

Product Data

Full product code	871829112197800
Order product name	MASTER CityWhite CDO-TT Plus 250W/830 E40
EAN/UPC – product	8718291121978
Order code	12197800
SAP numerator – quantity per pack	1
Numerator – packs per outer box	12
SAP material	928082319230
SAP net weight (piece)	0.161 kg
ILCOS code	MT-250/830-H-E40-48/260

Dimensional drawing

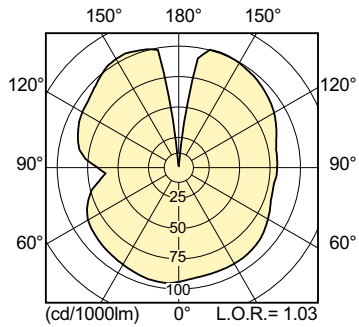


MASTER CityWhite CDO-TT Plus 250W/830 E40

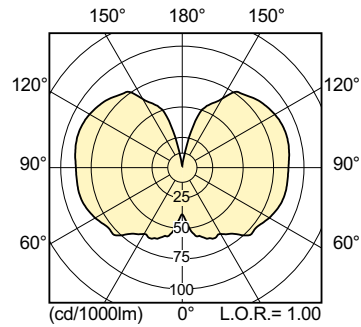
Product	D (max)	O	L	C (max)
MASTER CityWhite CDO-TT Plus 250W/830 E40	47 mm	12.1 mm	157 mm	257 mm

MASTER CityWhite CDO-TT

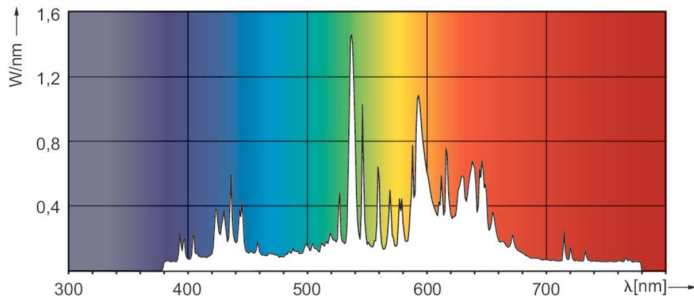
Photometric data



LDLD_CDO-TT_0004-Light distribution diagram

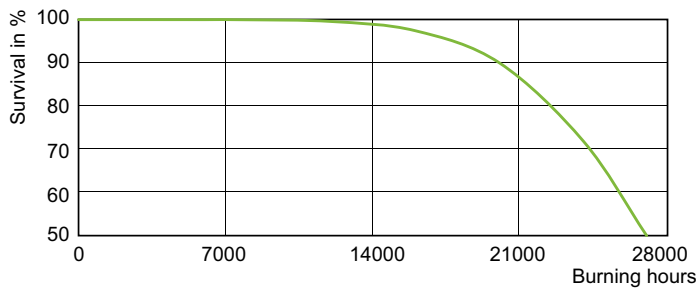


LDLD_CDO-TT_0005-Light distribution diagram

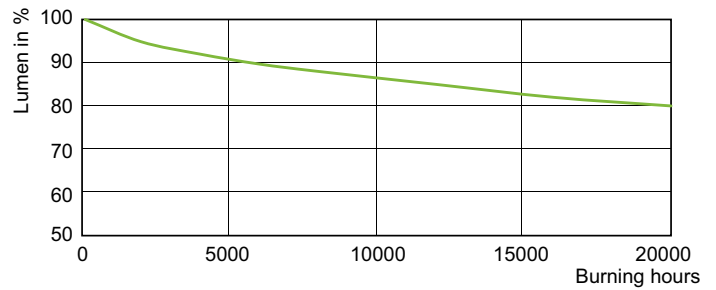


LDPO_CDO-TT_0003-Spectral power distribution Colour

Lifetime



LDLE_CDO-TT_0005-Life expectancy diagram



LDLM_CDO-TT_0003-Lumen maintenance diagram

