



MHN-TD

MHN-TD 70W/842 RX7s 1CT/12

Double-ended quartz Metal-halide lamp

Warnings and Safety

- Use only in totally enclosed luminaire, even during testing (IEC61167, IEC 62035, IEC60598)
- The luminaire must be able to contain hot lamp parts if the lamp ruptures
- Control gear must include end-of-life protection (IEC61167, IEC 62035)
- A lamp breaking is extremely unlikely to have any impact on your health. If a lamp breaks, ventilate the room for 30 minutes and remove the parts, preferably with gloves. Put them in a sealed plastic bag and take it to your local waste facilities for recycling. Do not use a vacuum cleaner.

Product data

General information			
Cap base	RX7S [RX7s]		color characteristics may change after long accumulate operating time.
Operating position	P45 [Parallel +/-45D or Horizontal(HOR)]	Footnotes HID 2	Supply volts must be +/- 5% of rated ballast line volts for reactor type and +/- 10% for CWA or electronic ballasts.
Life to 5% failures (min.)	4000 h		Sphere
Life to 5% failures (nom.)	5000 h		
Life to 20% failures (min.)	6500 h		
Life to 20% failures (nom.)	8000 h		
Life to 50% failures (min.)	8500 h		
Life to 50% failures (nom.)	10500 h		
ANSI code HID	M85/E		
Footnotes HID 1	Color characteristics may vary somewhat from one lamp type to another. Time should be allowed for the lamp to stabilize in color when it is turned on for the first time or if for any reason its operating position is changed. This may require several hours' operation, with more than one start. Lamp color and output may change temporarily if the lamp is subjected to excess vibration or shock. Lamp		
		Light technical	
		Colour Code	842 [CCT of 4,200 K]
		Luminous flux (nom.)	5800 lm
		Luminous flux (rated) (min.)	5220 lm
		Luminous flux (rated) (nom.)	5800 lm
		Colour designation	Cool White (CW)
		Lumen maintenance 10,000 hours (min.)	40 %
		Lumen maintenance 10,000 hours (nom.)	75 %
		Lumen maintenance 2,000 hours (min.)	79 %
		Lumen maintenance 2,000 hours (nom.)	85 %

MHN-TD

Lumen maintenance 5,000 hours (min.)	68 %
Lumen maintenance 5,000 hours (nom.)	80 %
Chromaticity coordinate X (nom.)	0.371
Chromaticity coordinate Y (nom.)	0.366
Correlated Colour Temperature (Nom)	4200 K
Luminous efficacy (rated) (min.)	67 lm/W
Luminous efficacy (rated) (nom.)	75 lm/W
Colour rendering index (nom.)	75

Operating and electrical

Power (Rated) (Nom)	77.0 W
Lamp current run-up (max.)	1.35 A
Lamp current (EM) (nom.)	1.0 A
Ignition supply voltage (max.)	198 V
Ignition peak voltage (max.)	5000 V
Ignition supply voltage (min.)	198 V
Ignition peak voltage (min.)	1800 V
Voltage (Max)	100 V
Voltage (Min)	80 V
Voltage (Nom)	90 V

Controls and dimming

Dimmable	No
----------	----

Mechanical and housing

Lamp Finish	Clear
Cap-base information	na [-]
Bulb shape	TD

Approval and application

Energy Efficiency Class	G
Mercury (Hg) content (max.)	11 mg
Mercury (Hg) content (nom.)	11 mg
Energy consumption kWh/1,000 hours	77 kWh 473315

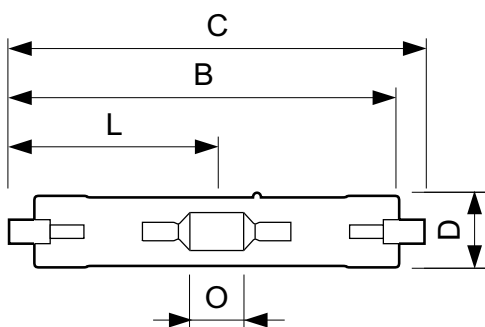
Luminaire design requirements

Bulb temperature (max.)	500 °C
Pinch temperature (max.)	280 °C
Pinch Temperature (Max)-DUP(do not use)	280 °C

Product data

Full product code	871829121532500
Order product name	MHN-TD 70W/842 RX7s 1CT/12
EAN/UPC – product	8718291215325
Order code	21532500
SAP numerator – quantity per pack	1
Local code description	LAMPADA HALETO METALICO MHN-TD70W-842
Numerator – packs per outer box	12
SAP material	928070205190
Net Weight (Piece)	0.028 kg
ILCOS code	MD/UB-70/842-H-RX7s-22/117.6

Dimensional drawing

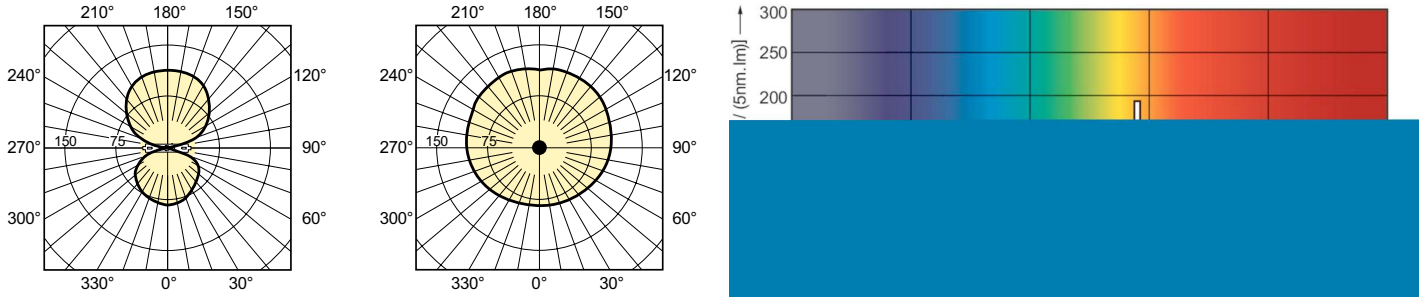


MHN-TD 70W/842 RX7s 1CT/12

Product	D (max)	D	O	C (max)
MHN-TD 70W/842 RX7s 1CT/12	19.5 mm	0.75 in	7.7 mm	117.6 mm

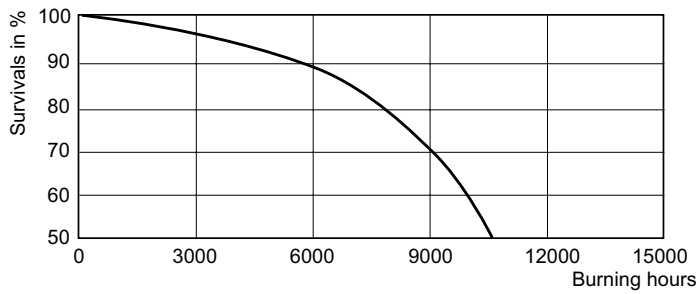
MHN-TD

Photometric data

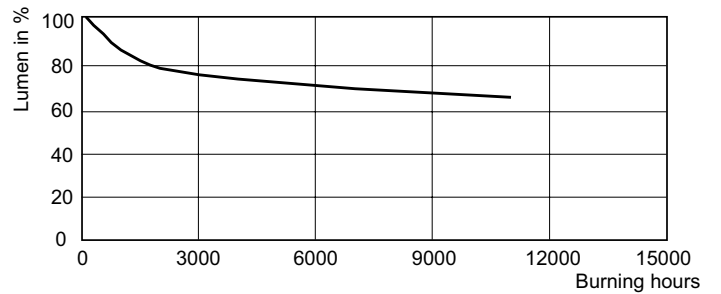


LDLD_MHN-TD-Light distribution diagram

Lifetime



LDLE_MHN-TD_70W_150W_842-Life expectancy diagram



LDLM_MHN-TD_70W_150W_842-Lumen maintenance diagram

