



Dynalite Relay Controllers

DRC-GRMS-UL

Purpose-built room automation and energy management system. This dedicated controller is completely self-contained and requires no external power supply, relays or processor.

Purpose-built room automation and energy management system. This dedicated controller is completely self-contained and requires no external power supply, relays or processor.

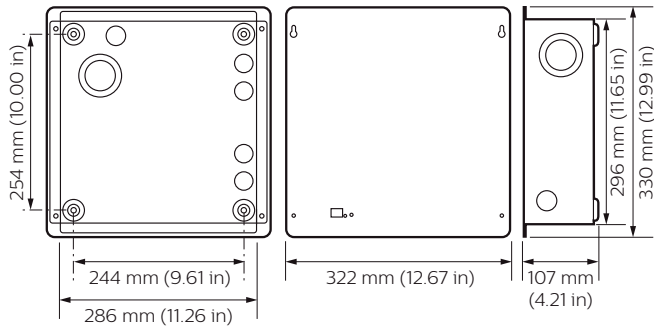
Product data

General Information	
Remarks	Please download the Lighting - Product Data Sheet for more information and ordering options
EU RoHS compliant	Yes
Application Conditions	
Ambient temperature range	0 to +40 °C
Product Data	
Full product code	871869688764600

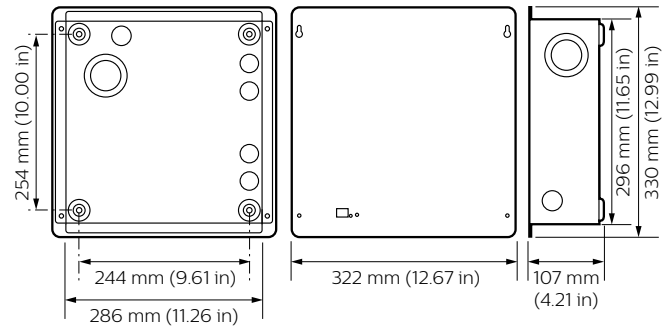
Order product name	DRC-GRMS-UL
EAN/UPC – product	8718696887646
Order code	88764600
SAP numerator – quantity per pack	1
Numerator – packs per outer box	1
SAP material	913703331109
SAP net weight (piece)	3.300 kg

Dynalite Relay Controllers

Dimensional drawing



Dynalite Relay Controllers



Dynalite Relay Controllers

