



# Dynalite Multipurpose Controllers

## DDMC802-V2

Multipurpose Modular Controller to control different load types with one device

Multipurpose Modular Controller to control different load types with one device

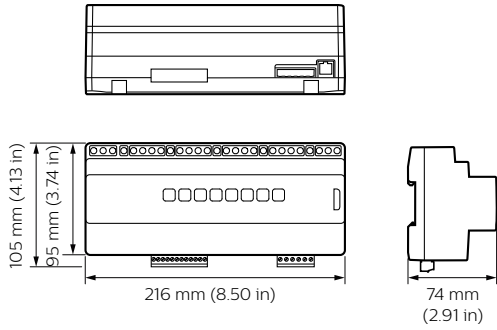
### Product data

General Information	
CE mark	CE mark
Remarks	Please download the Lighting - Product Data Sheet for more information and ordering options
EU RoHS compliant	Yes
Application Conditions	
Ambient temperature range	0 to +40 °C
Product Data	
Full product code	871869688800100

Order product name	DDMC802
EAN/UPC – product	8718696888001
Order code	88800100
SAP numerator – quantity per pack	1
Numerator – packs per outer box	1
SAP material	913703243509
SAP net weight (piece)	460.000 g

# Dynalite Multipurpose Controllers

## Dimensional drawing



Dynalite Multipurpose Controllers

