



# HF-Regulator Intelligent Touch DALI for PL-T/C and TL5C

## HF-Ri TD 2 26-42 PL-T/C E+

Intelligent high-frequency electronic dimming ballast, using DALI (Digital Addressable Lighting Interface according to IEC62386) or Touch and Dim push-button protocol for fluorescent lamps. Features Corridor Mode, programmable with Philips MultiOne. High-frequency operation improves light quality and lamp lifetime. Pre-empts upcoming legislation as it meets A1BAT requirements.

### Product data

General Information		Mains voltage safety (AC)	
Application code	E+	Mains voltage safety (AC)	-10%~+10%
Type version	-	Earth leakage current (max.)	0.5 mA
Lamp type	PL-T/C	Inrush current width	0.35 ms
Number of lamps	2 piece/unit	Standby power consumption (max.)	0.27 W
Number of products on MCB (16 A type B) (nom.)	12	Ballast factor (nom.)	1
Automatic restart	Yes	Power losses (nom.)	2.7 W
		Inrush current peak (max.)	45 A
		Efficiency at full load [%]	90.88000000000001 %
Operating and Electrical		Wiring	
Input Voltage	195-240 V	Connector type input terminals	WAGO 250 series
Input frequency	50 to 60 Hz	Cable capacity output wires mutual (max.)	150 pF
Ignition method	Warm Start	Connector type output terminals	WAGO 250 series
Crest factor (max.)	1.7	Connector type control input terminals	WAGO 250 series
Power factor 100% load (nom.)	0.95	Wire strip length	8.0-9.0 mm
Ignition time (max.)	1 s	Dual fixture master/slave	Yes [ Master/Slave operation possible]
Mains voltage performance (AC)	-8%~+6%	Control input terminal cross section	0.50-1.50 mm <sup>2</sup>

## HF-Regulator Intelligent Touch DALI for PL-T/C and TL5C

Input terminal cross section	0.50-1.50 mm <sup>2</sup>
Output terminal cross section	0.50-1.50 mm <sup>2</sup>
Auto-insert (ALF/ADS) wire cross section	0.50-1.50 mm <sup>2</sup>
Cable capacity output wires to earth (max.)	150 pF

### System characteristics

Rated ballast-lamp power	26-42 W
Rated lamp power on PL-T/C	26 W
Rated lamp power on PL-T	32/42 W
Rated lamp power on TL5C	22/40/22+40 W
System power on PL-T/C	58.5 W
System power on PL-T	69/89.2 W
System power on TL5C	52.5/84.1/68.3 W
Power loss on PL-T/C	6.5 W
Power loss on PL-T	7/7.2 W
Power loss on TL5C	6.5/7.1/6.8 W
Lamp power on TL5C	46/77/61 W
Lamp power on PL-T	62/82 W
Lamp power on PL-T/C	50 W

### Temperature

T-ambient (max.)	50 °C
T-ambient (min.)	-25 °C
T storage (max.)	80 °C
T storage (min.)	-40 °C
T case lifetime (max.)	75 °C
T-Case maximum (max.)	75 °C
T-Ignition (max.)	50 °C
T-Ignition (min.)	-25 °C

### Controls and Dimming

Control interface	TD
Regulating level power	3%-100%
Control input protection	Yes (Basic insulation)

### Mechanical and Housing

Housing	L 123x79x33
---------	-------------

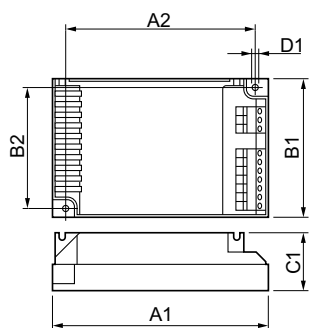
### Approval and Application

Energy efficiency index	A1 BAT
IP classification	IP 20 [ Ingress Protection 20]
EMI 9 kHz ... 30 MHz	EN55015
EMI 30 MHz ... 1,000 MHz	EN 55022 Class B
Safety standard	IEC 61347-2-3
Performance standard	IEC 60929
Quality standard	ISO 9000:2000
Environmental standard	ISO 14001
Harmonic current emission standard	IEC 61000-3-2
EMC immunity standard	IEC 61547
Vibration standard	IEC68-2-6 F c
Bumps standard	IEC 68-2-29 Eb
Humidity standard	EN 61347-2-3 clause 11
Approval marks	EMC CE marking ENEC certificate CCC certificate
Temperature marking	Yes
Emergency standard	IEC 60598-2-22
Humming and noise level	Inaudible

### Product Data

Full product code	871829124169000
Order product name	HF-Ri TD 2 26-42 PL-T/C E+
EAN/UPC – product	8718291241690
Order code	24169000
SAP numerator – quantity per pack	1
Numerator – packs per outer box	12
SAP material	913700684866
SAP net weight (piece)	0.230 kg

## Dimensional drawing



HF-Ri TD 2 26-42 PL-T/C E+

Product	D1	C1	A1	A2	B1	B2
HF-Ri TD 2 26-42 PL-	4.5 mm	33.0	123.0	111.0	79.0	67.0
T/C E+		mm	mm	mm	mm	mm

## HF-Regulator Intelligent Touch DALI for PL-T/C and TL5C

