



HF-Performer Intelligent for TL5 HE/HO lamps

HF-Pi 1 28/35/49/80 TL5 EII 220-240V

HF-Performer Intelligent for Master and ECO TL5 HE/HO, TL-D and PL-L lamps HF-Performer Intelligent features automatic recognition of the connected lamp and is independently able to adjust its operation parameters exactly to the respective lamp. This results in a substantial benefit, especially for T5 lamps, as it means TL5 HE and HO lamps of the same length can be interchanged. With a choice of seven ballasts, the customer is able to handle efficiently every possible combination of Master TL5 and Eco, TL-D, and PL-L lamps.

Product data

General Information		Mains voltage safety (AC)	
Application code	EII	Mains voltage safety (AC)	-10%~+10%
Lamp type	TL5	Earth leakage current (max.)	0.5 mA
Number of lamps	1 piece/unit	Inrush current width	0.35 ms
Number of products on MCB (16 A type B) (nom.)	12	Constant wattage deviation	-2%/+2%
Automatic restart	Yes	Ballast factor (nom.)	1.00
		Power losses (nom.)	4.0-5.4 W
		Inrush current peak (max.)	31 A
		Efficiency at full load [%]	96.39999999999999 %
Operating and Electrical		Wiring	
Input Voltage	220 to 240 V	Connector type input terminals	Insert
Input frequency	50 to 60 Hz	Cable capacity output wires mutual (nom.)	150 pF
Ignition method	Warm Start	Connector type output terminals	Insert
Crest factor (max.)	1.7	Cable length hot-wiring	0.75 m
Ignition time (max.)	5.0 s	Wire strip length	8.0-9.0 mm
Mains voltage performance (AC)	-8%~+6%		

HF-Performer Intelligent for TL5 HE/HO lamps

Input terminal cross section	0.50-1.00 mm ²
Output terminal cross section	0.50-1.00 mm ²
Cable capacity output wires to earth (nom.)	150 pF

System characteristics

Rated ballast-lamp power	28/35/49/80 W
Rated lamp power on TL5	28/35/49/80 W
System power on TL5	34.7/43.3/55/89.8 W
Lamp power on TL5	30.7/38.7/50.2/84 W
Power loss on TL5	4/4.6/4.8/5.8 W

Temperature

T-ambient (max.)	50 °C
T-ambient (min.)	-25 °C
T storage (max.)	80 °C
T storage (min.)	-40 °C
T-case lifetime (nom.)	75 °C
T-Case maximum (max.)	75 °C
T-Ignition (max.)	50 °C
T-Ignition (min.)	-25 °C

Mechanical and Housing

Housing	L360x30x22
---------	------------

Emergency Operation

Nominal light output after 60 seconds	100% of EBLF
Battery voltage lamp operation	198-276
Emergency ballast lumen factor (EBLF) (nom.)	100 %
Nominal light output after 5 seconds	50% of EBLF

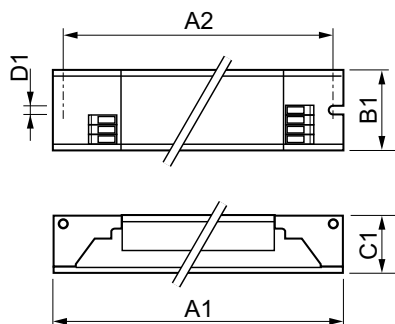
Approval and Application

Energy efficiency index	A2 BAT
IP classification	IP 20 [Ingress Protection 20]
EMI 9 kHz ... 30 MHz	EN55015
EMI 30 MHz ... 1,000 MHz	EN 55022 Class B
Safety standard	IEC 61347-2-3
Performance standard	IEC 60929
Quality standard	ISO 9000:2000
Environmental standard	ISO 14001
Harmonic current emission standard	IEC 61000-3-2
EMC immunity standard	IEC 61547
Vibration standard	IEC68-2-6 F c
Bumps standard	IEC 68-2-29 Eb
Humidity standard	EN 61347-2-3 clause 11
Approval marks	CE marking ENEC certificate VDE-EMV certificate
Temperature marking	Yes
Emergency standard	IEC 60598-2-22
Humming and noise level	Inaudible

Product Data

Full product code	872790086249200
Order product name	HF-Pi 1 28/35/49/80 TL5 EII
EAN/UPC – product	8711500881182
Order code	86249200
SAP numerator – quantity per pack	1
Numerator – packs per outer box	12
SAP material	913700652566
SAP net weight (piece)	0.247 kg

Dimensional drawing



HF-Pi 1 28/35/49/80 TL5 EII 220-240V

Product	D1	C1	A1	A2	B1
HF-Pi 1 28/35/49/80 TL5 EII	4.2 mm	22 mm	360 mm	350 mm	30 mm

HF-Performer Intelligent for TL5 HE/HO lamps

