



HF-Performer III for PL-T/C lamps

HF-P 1/218 PL-T/C III 220-240V 50/60Hz

HF-Performer III PL-T/C is a sustainable, slim and high-frequency electronic ballast for PL-T and PL-C fluorescent lamps. It is ideal for applications where high energy efficiency is required. The HF-Performer III range has a robust design, meets all relevant international safety and performance standards and is energy efficient (CELMA EEI A2).

Product data

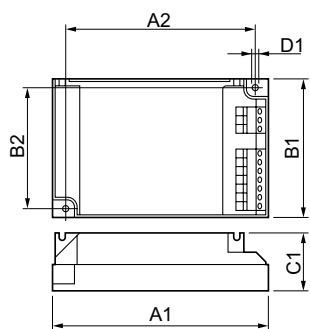
| Operating and Electrical | |
|--|-----------------|
| Line Frequency | 50 to 60 Hz |
| Input Frequency | 50 to 60 Hz |
| Input Voltage | 220 to 240 V |
| Inrush Current Width | 0.250 ms |
| Inrush Current Peak (Max) | 18 A |
| Number of Products on MCB (16A Type B) (Nom) | 28 |
| Wiring | |
| Connector Type Input Terminals | Insert |
| Connector Type Output Terminals | Insert |
| Cable Length From Device to Lamp | 1 m |
| Temperature | |
| Ambient temperature range | -25 °C to 50 °C |
| T-Case Lifetime (Nom) | 75 °C |
| T-Case Maximum (Max) | 75 °C |

| Mechanical and Housing | |
|--------------------------|---|
| Housing | S 103x67x30 |
| Approval and Application | |
| Ingress protection code | IP20 [Finger-protected] |
| Energy Efficiency Index | A2 BAT |
| Safety Standard | IEC 61347-2-3 |
| Environmental Standard | ISO 14001 |
| Approval Marks | CE marking ENEC certificate VDE-EMV certificate |

| Product Data | |
|---------------------------------|--|
| Full product code | 872790083417800 |
| Order product name | HF-P 1/218 PL-T/C III 220-240V |
| Order code | 83417800 |
| Numerator - Quantity Per Pack | 1 |
| Numerator - Packs per outer box | 12 |
| Material Nr. (12NC) | 913700648666 |
| Full product name | HF-P 1/218 PL-T/C III 220-240V 50/60Hz |
| EAN/UPC - Case | 8727900834178 |

HF-Performer III for PL-T/C lamps

Dimensional drawing



| Product | D1 | C1 | A1 | A2 | B1 | B2 |
|-----------------------------------|--------|---------|----------|---------|---------|---------|
| HF-P 1/218 PL-T/C III 220-240V | 4.2 mm | 30.0 mm | 103.8 mm | 93.5 mm | 67.8 mm | 57.5 mm |

