



HF-Regulator II for PL-T/C

HF-R 2 26-42 PL-T/C EII 220-240V 50/60Hz

Compact, high-frequency electronic dimming ballast, using the analog protocol (1-10 V) for PL-T, PL-C and PL-R lamps

Product data

| General information | | Constant wattage deviation | |
|------------------------------------------------|------------------|---------------------------------------------|-----------------------------------------------------|
| Application code | EII | Constant wattage deviation | -2%/+2% |
| Type version | mk3 | Ballast factor (nom.) | 0.99 |
| Lamp type | PL-T/C | Power losses (nom.) | 6.5-7.5 W |
| Number of lamps | 2 piece/unit | Inrush current peak (max.) | 45 A |
| Number of products on MCB (16 A type B) (nom.) | 12 | Efficiency at full load [%] | 93.58 % |
| Automatic restart | Yes | Wiring | |
| Operating and electrical | | Connector type input terminals | Insert |
| Input Voltage | 220 to 240 V | Cable capacity output wires mutual (nom.) | 30 pF |
| Input frequency | 50 to 60 Hz | Connector type output terminals | Insert |
| Operating frequency (max.) | 100 kHz | Connector type control input terminals | Insert |
| Operating frequency (min.) | 40 kHz | Wire strip length | 7.5-8.5 mm |
| Ignition method | Programmed Start | Dual fixture master/slave | Not advisable [Master/Slave operation not advised] |
| Crest factor (max.) | 1.7 | Control input terminal cross section | 0.50-1.50 mm ² |
| Power factor 100% load (nom.) | 0.95 | Input terminal cross section | 0.50-1.50 mm ² |
| Ignition time (max.) | 1.5 s | Output terminal cross section | 0.50-1.50 mm ² |
| Mains voltage performance (AC) | -8%-+6% | Cable capacity output wires to earth (nom.) | 75 pF |
| Mains voltage safety (AC) | -10%-+10% | System characteristics | |
| Earth leakage current (max.) | 0.5 mA | Rated ballast-lamp power | 26-42 W |
| Inrush current width | 0.35 ms | | |

HF-Regulator II for PL-T/C

| Temperature | |
|-----------------------------------|---------------|
| T-ambient (max.) | 50 °C |
| T-ambient (min.) | -20 °C |
| T storage (max.) | 80 °C |
| T storage (min.) | -25 °C |
| T-case lifetime (nom.) | 65 °C |
| T-Case maximum (max.) | 75 °C |
| Stable lamp operation temperature | Not Specified |
| T-Ignition (max.) | 50 °C |
| T-Ignition (min.) | 0 °C |

| Controls and dimming | |
|--------------------------|------------------------|
| Control interface | 1-10V |
| Regulating level power | 1%-100% |
| Control input protection | Yes (Basic insulation) |

| Mechanical and housing | |
|------------------------|-------------|
| Housing | S 123x79x33 |

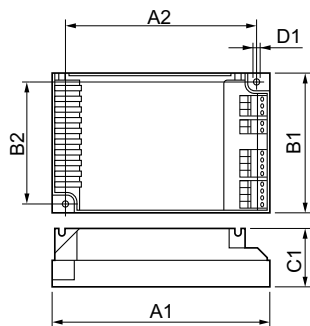
| Emergency operation | |
|--------------------------------|-----------|
| Battery voltage lamp ignition | 198-254 V |
| Battery voltage lamp operation | 176-254 |

| Approval and application | |
|--------------------------|--------------------------------|
| Energy efficiency index | A1 BAT |
| IP classification | IP 20 [Ingress Protection 20] |
| EMI 9 kHz ... 30 MHz | EN55015 |
| EMI 30 MHz ... 1,000 MHz | EN55022 level B |

| | |
|------------------------------------|-------------------------------------------------|
| Safety standard | IEC 61347-2-3 |
| Performance standard | IEC 60929 |
| Quality standard | ISO 9000:2000 |
| Environmental standard | ISO 14001 |
| Harmonic current emission standard | IEC 61000-3-2 |
| EMC immunity standard | IEC 61547 |
| Vibration standard | IEC68-2-6 F c |
| Bumps standard | IEC 68-2-29 Eb |
| Humidity standard | EN 61347-2-3 clause 11 |
| Approval marks | CE marking ENEC certificate VDE-EMV certificate |
| Temperature marking | Yes |
| Emergency standard | IEC 60598-2-22 |
| Humming and noise level | Inaudible |

| Product data | |
|-----------------------------------|------------------------------------------|
| Full product code | 872790080972500 |
| Order product name | HF-R 2 26-42 PL-T/C EII 220-240V 50/60Hz |
| EAN/UPC – product | 8711500880758 |
| Order code | 80972500 |
| SAP numerator – quantity per pack | 1 |
| Local code description | REAT ELET DIM 2X26/32/42W 220V |
| Numerator – packs per outer box | 12 |
| SAP material | 913700626566 |
| Net Weight (Piece) | 0.230 kg |

Dimensional drawing



HF-R 2 26-42 PL-T/C EII 220-240V 50/60Hz

| Product | D1 | C1 | A1 | A2 | B1 | B2 |
|----------------------|--------|------|-------|-------|------|------|
| HF-R 2 26-42 PL-T/C | 4.5 mm | 33.0 | 123.0 | 111.0 | 79.0 | 67.0 |
| EII 220-240V 50/60Hz | | mm | mm | mm | mm | mm |

HF-Regulator II for PL-T/C

